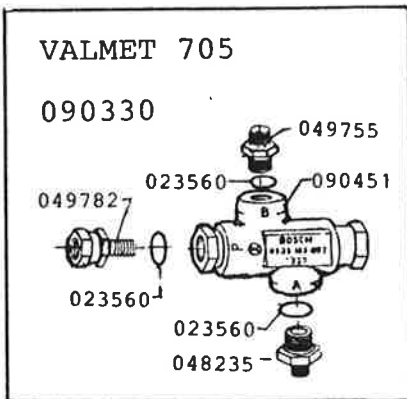


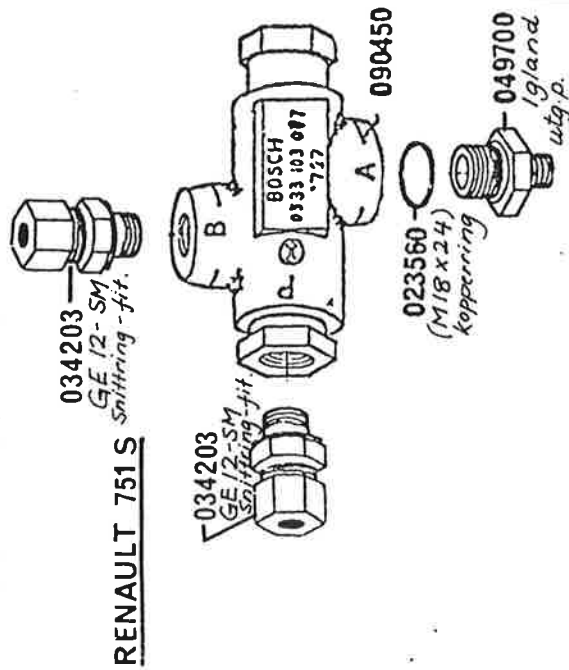
OLJEFORDELERVENTILER

Lavtrykk, 15 l/min.



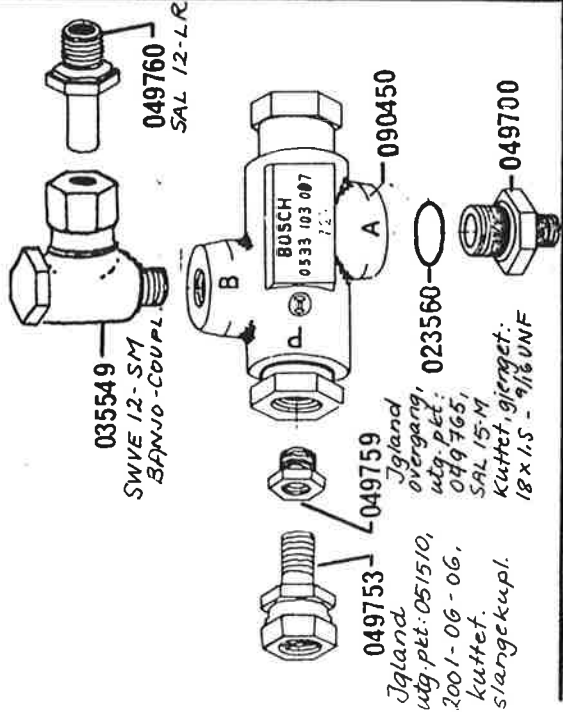


OLJEFORDELERVENTIL

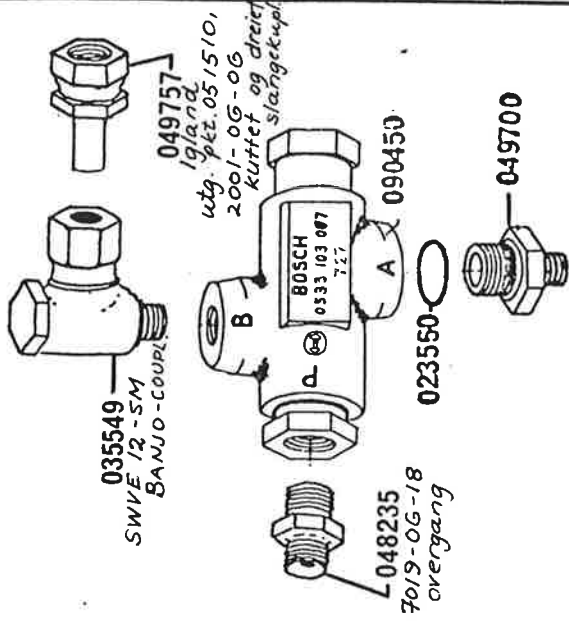


RENAULT 751 S

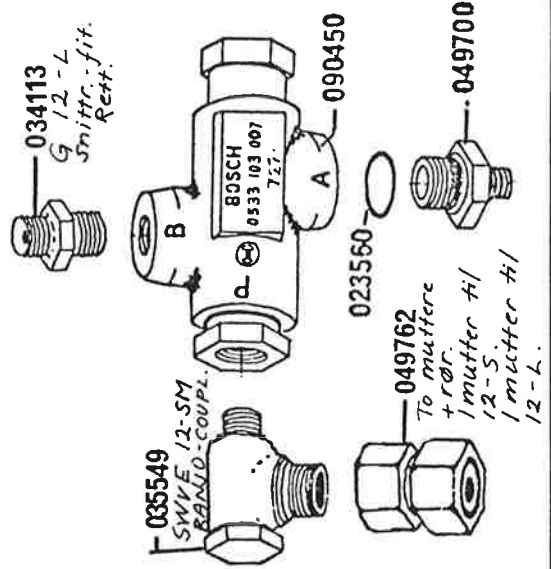
VALMET



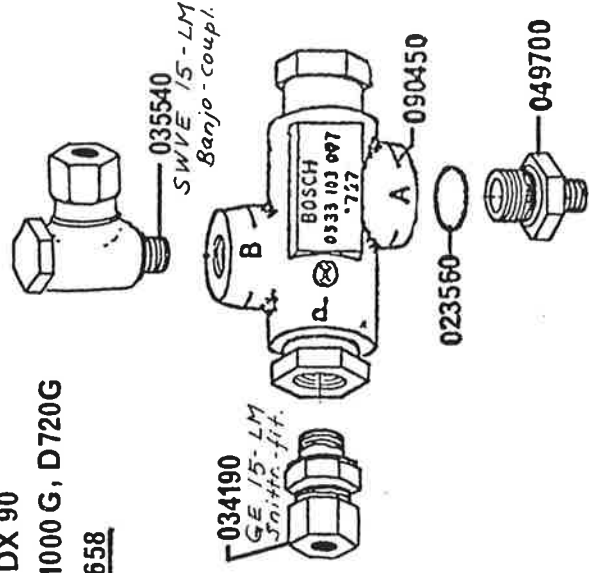
LEYLAND 462



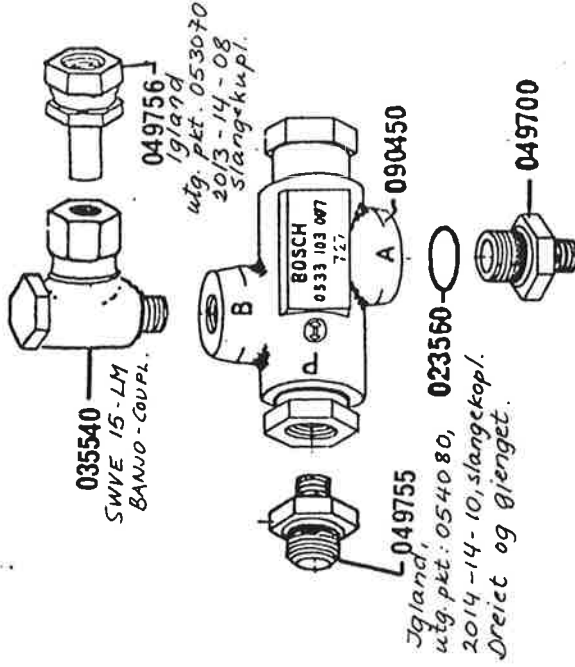
RENAULT 651-4



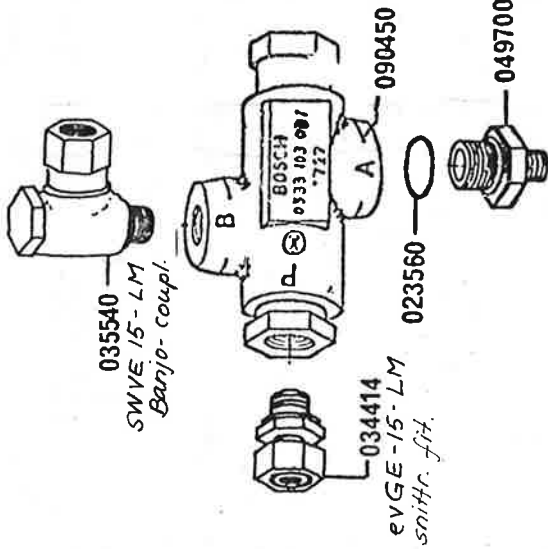
**DEUTZ DX 90
DEUTZ 1000 G, D720G
STEYR 658**



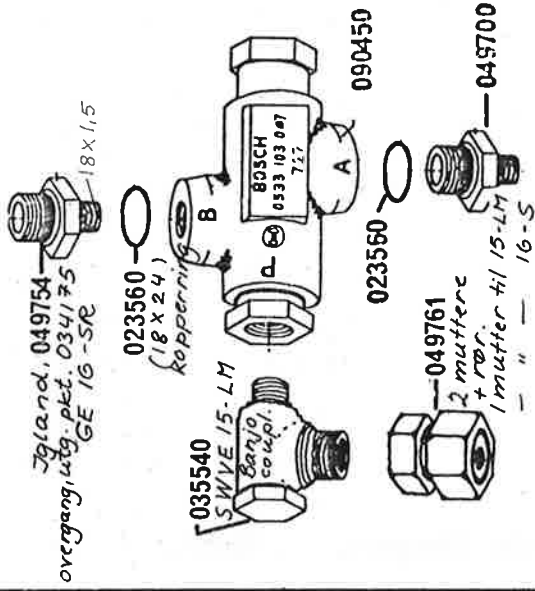
LAMBORGHINI 955-DT



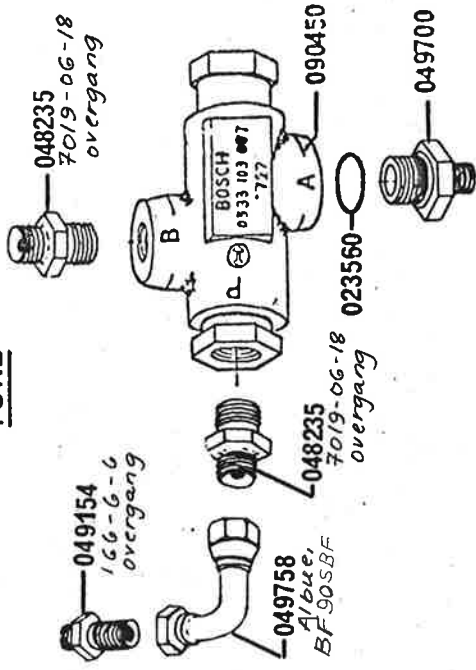
FIAT 880 MB TRACK (gml. utg.)



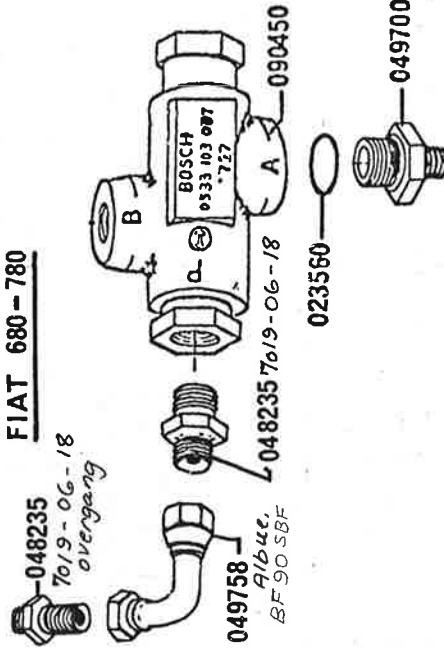
MB TRACK 800 (ny utg.)



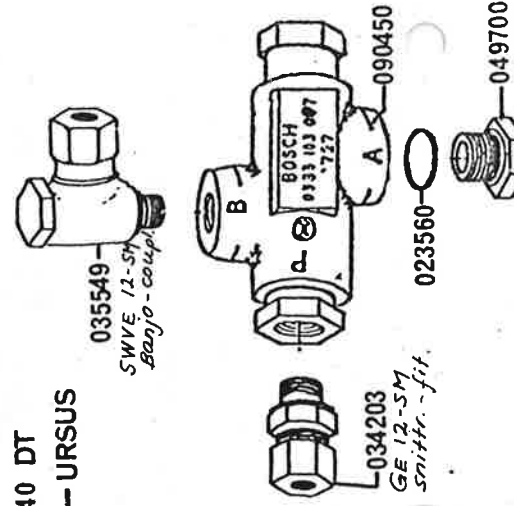
FORD



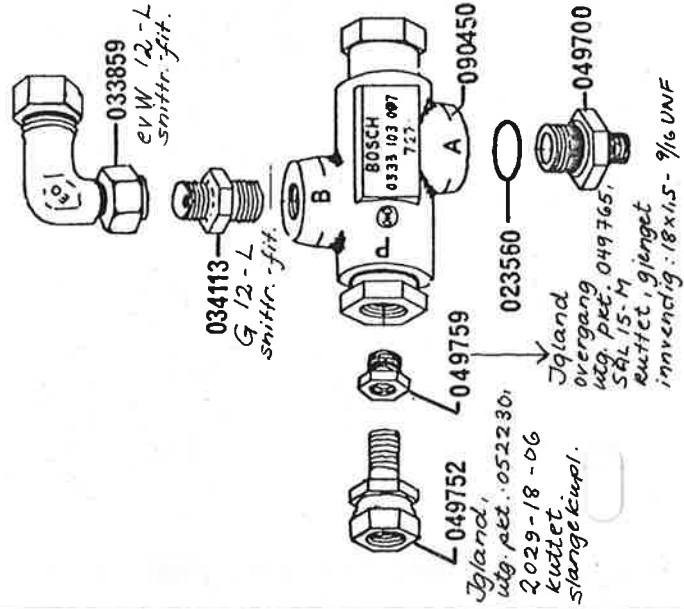
FIAT 680-780



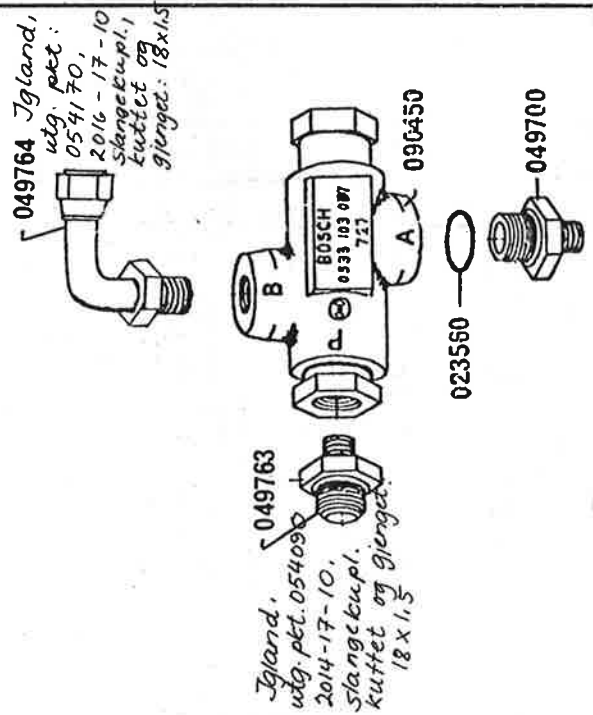
FIAT 640 DT
ZETOR - URSUS
IMT



FIAT 780 DT

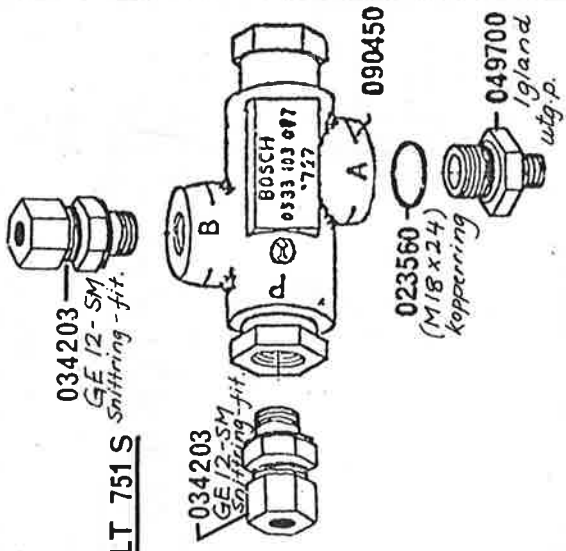


FERGUSON 1250



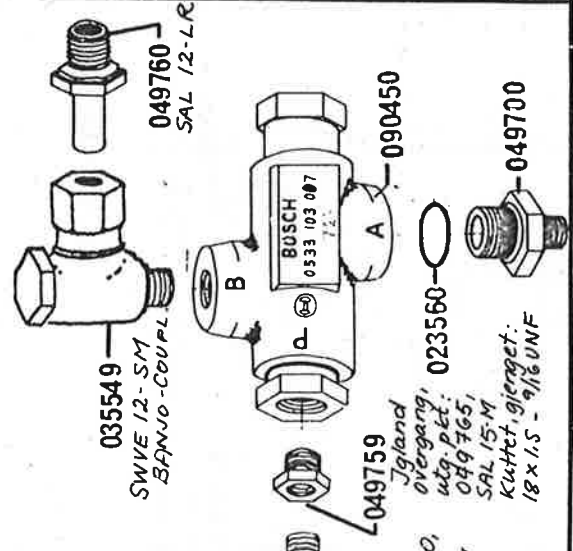


OLJEFORDELERVENTIL

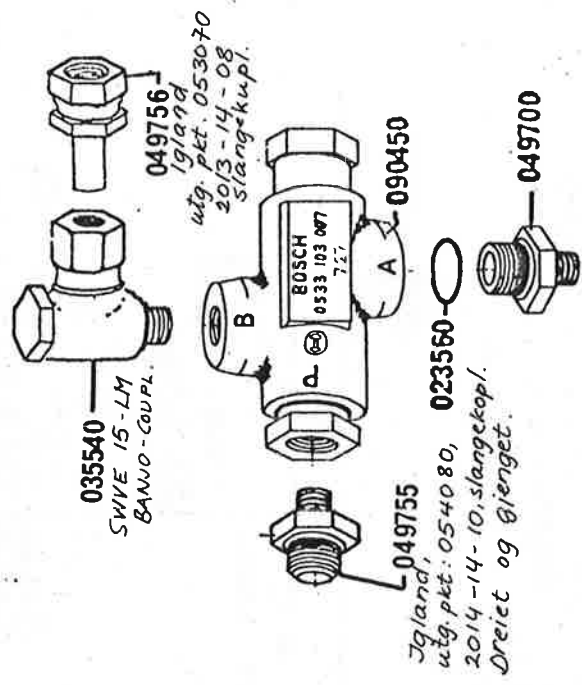


RENAULT 751S

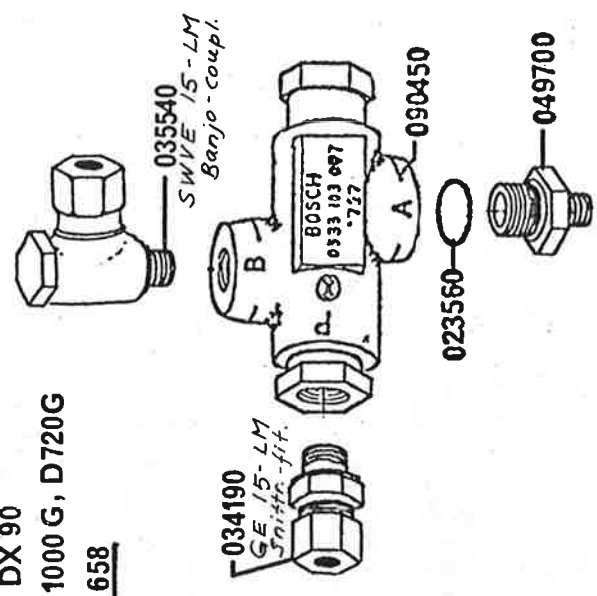
VALMET



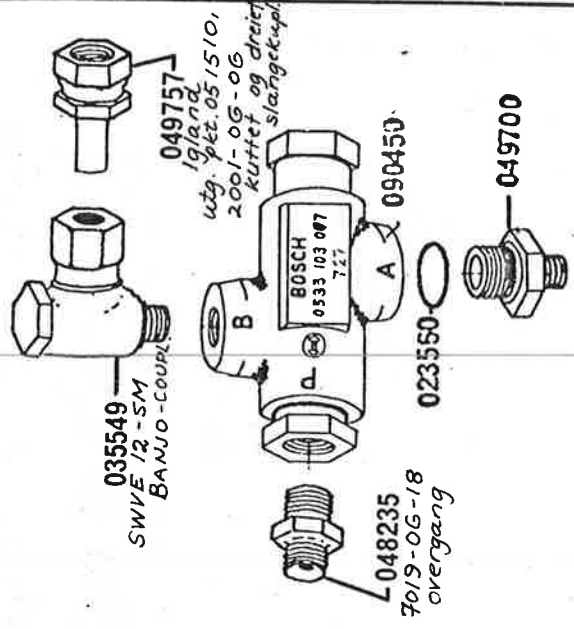
LAMBORGHINI 955 - DT



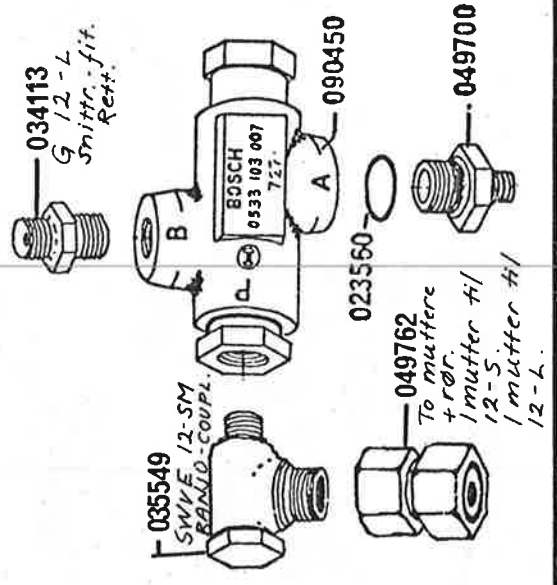
**DEUTZ DX 90
DEUTZ 1000 G, D720G
STEYR 658**



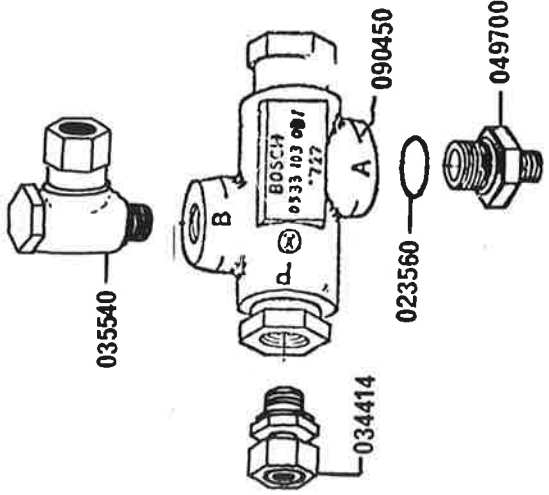
LEYLAND 462



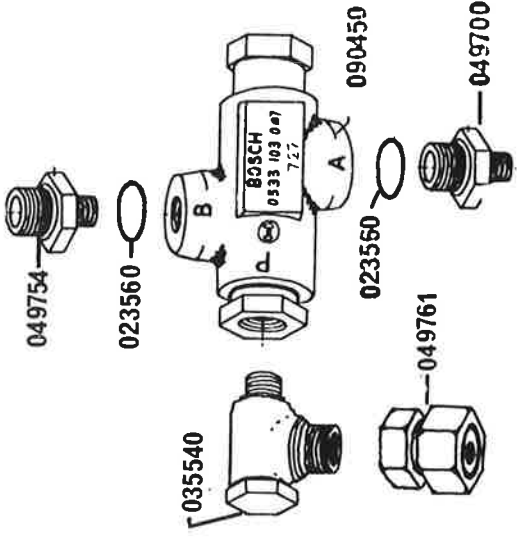
RENAULT 651-4



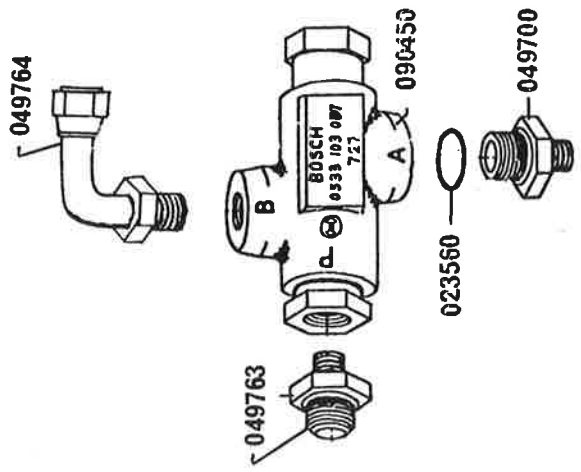
FIAT 880 MB TRACK (gml. utg.)



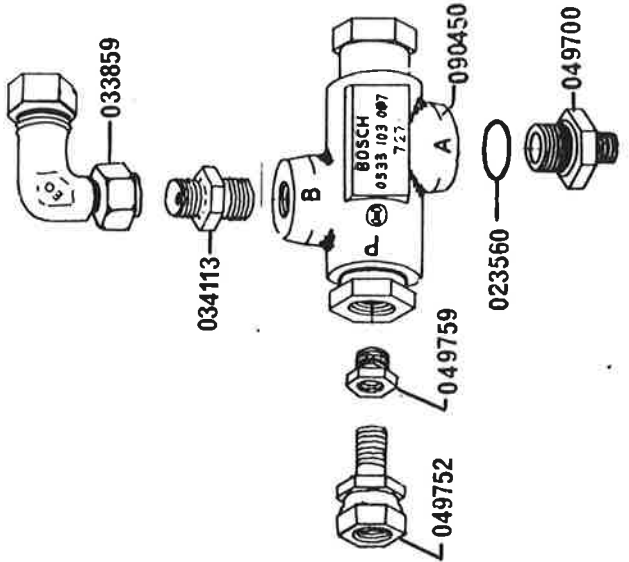
MB TRACK 800 (ny utg.)



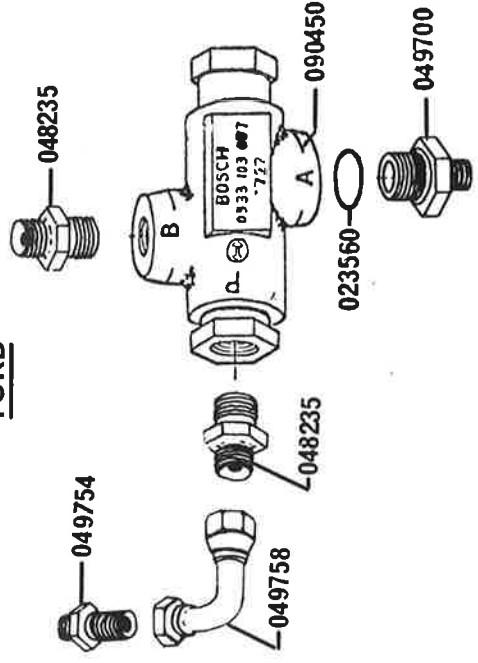
FERGUSON 1250



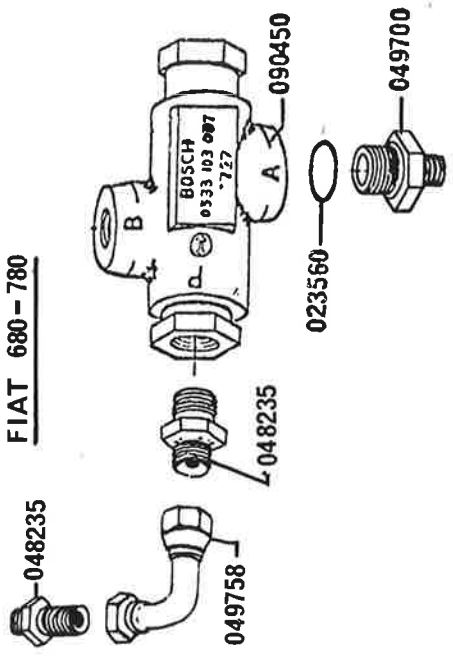
FIAT 780 DT



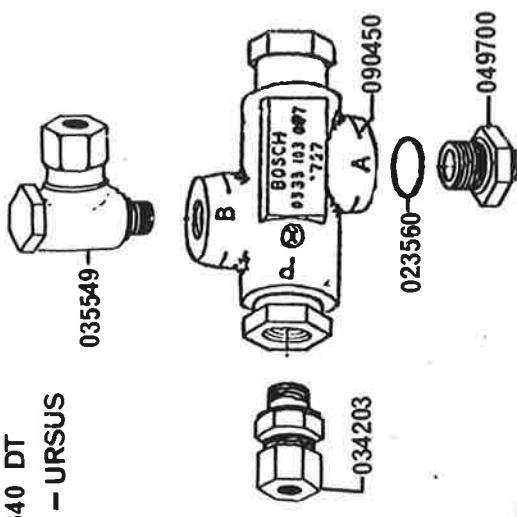
FORD



FIAT 680 - 780

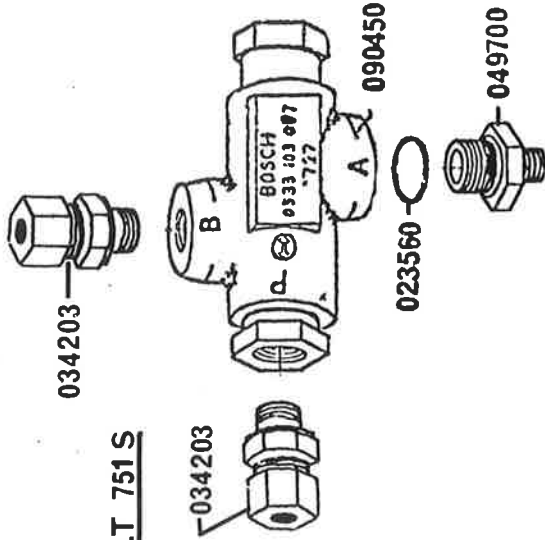


FIAT 640 DT
ZETOR - URSUS
IMT



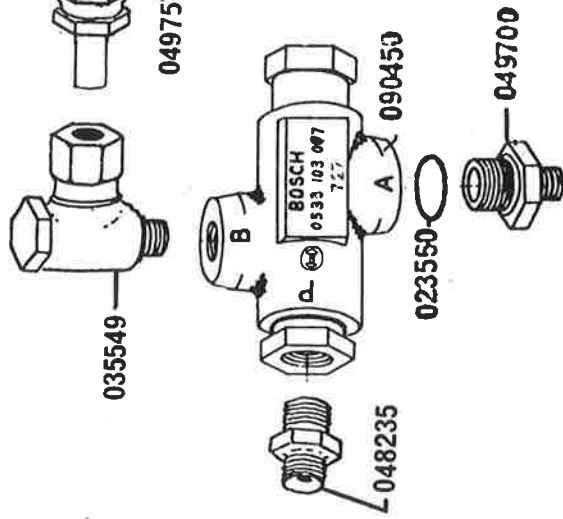
Dagland

OLJEFORDELERVENTIL

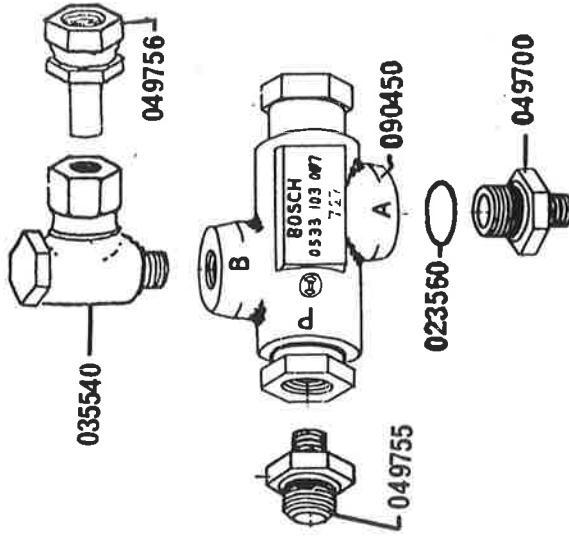


RENAULT 751 S

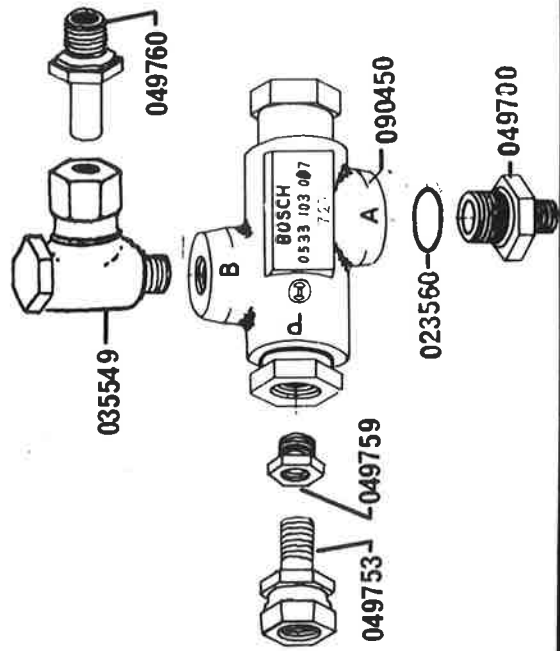
LEYLAND 462



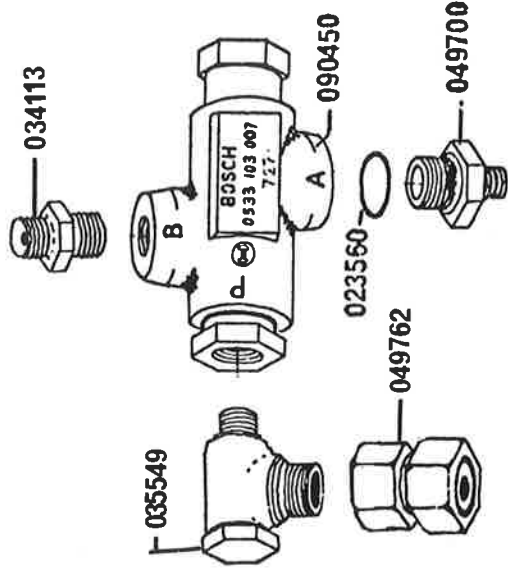
LAMBORGHINI 955 - DT



VALMET



RENAULT 651-4



DEUTZ DX 90
DEUTZ 1000 G, D720G
STEYR 658

