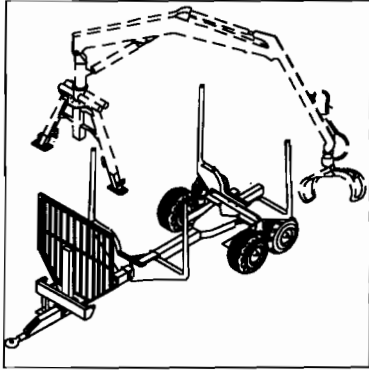
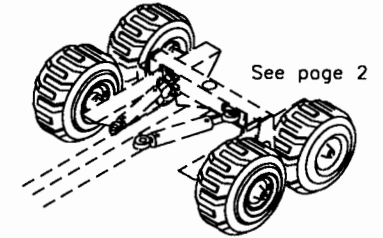
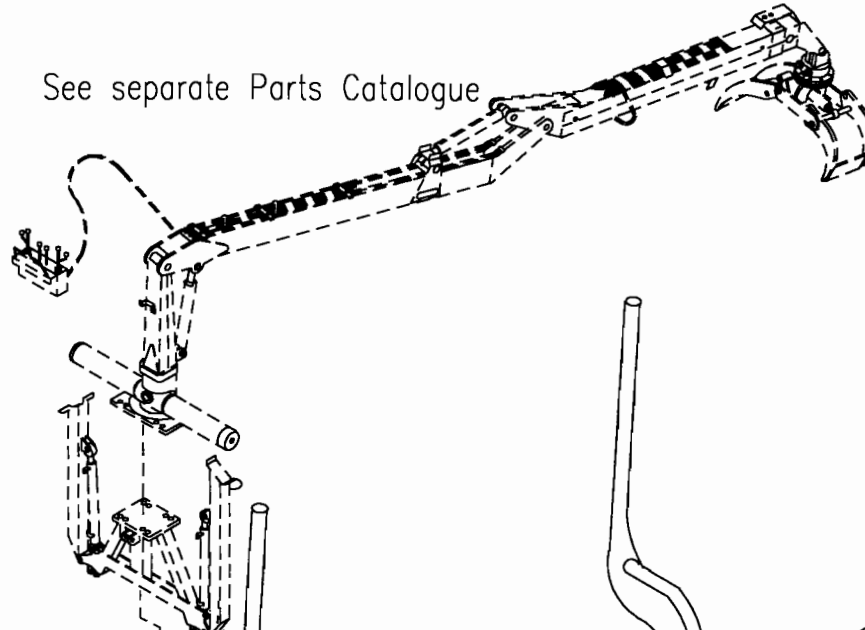


IGLAND 480 Swingtrac (Timber Trailer) Parts Catalogue

Serial No.: 480001 →



See separate Parts Catalogue



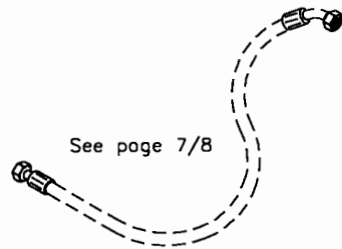
See page 2

GENERAL INFO

This Catalogue: P/N 390515
This Parts Catalogue consists of 16 numbered pages.

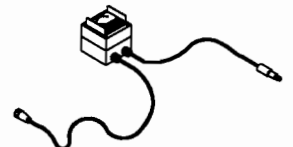
© IGLAND AS

- Gjengivelse av tekst og tegninger uten tillatelse forbudt.
- Reproduction of text or illustrations without permission is prohibited.
- Eine Wiedergabe von Texten und Zeichnungen ohne unsere Genehmigung ist nicht gestattet.
- Interdiction de toute reproduction de textes ou d'illustrations sans autorisation préalable.

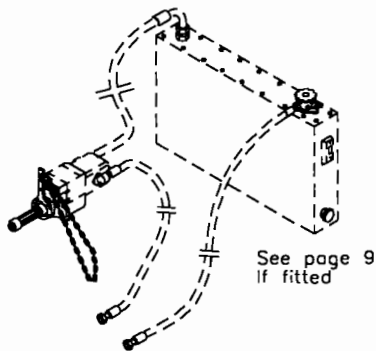


See page 7/8

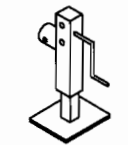
See page 5



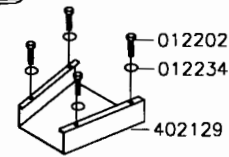
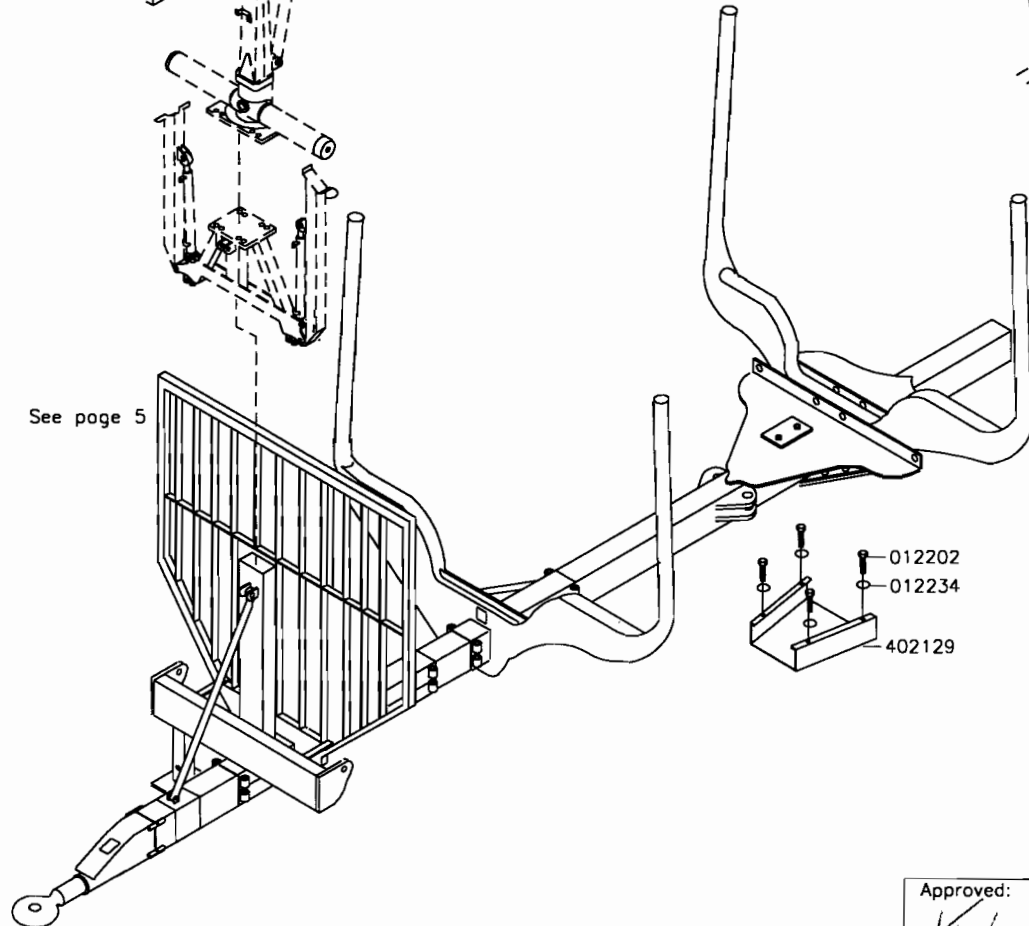
See page 10



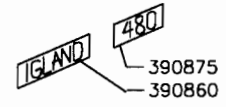
See page 9
if fitted



See page 5

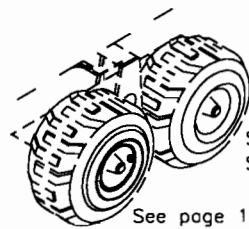
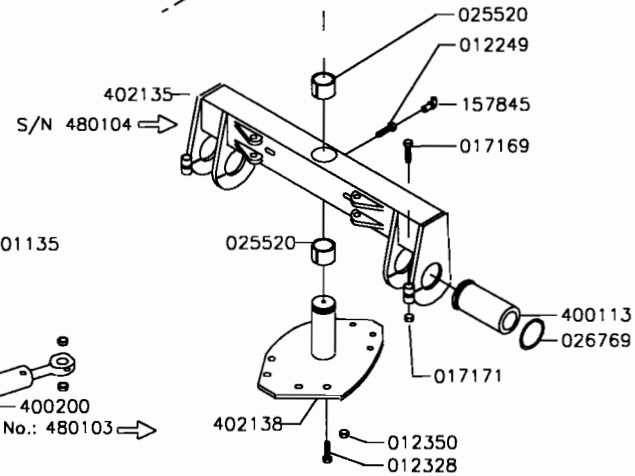
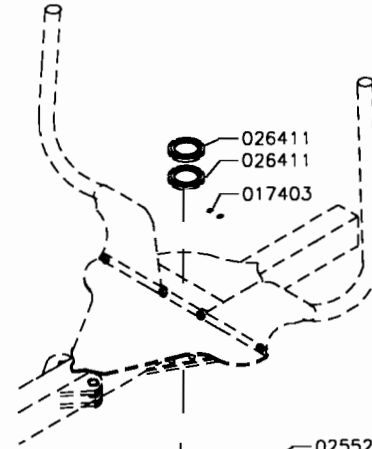
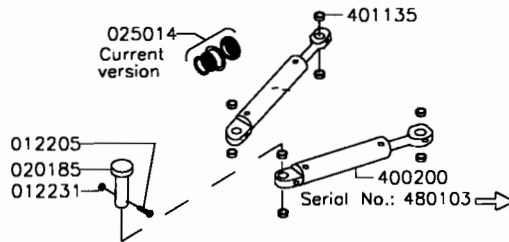
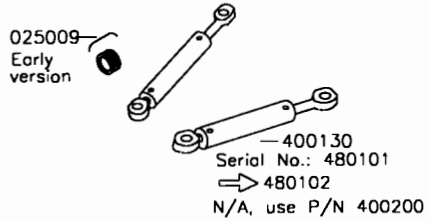
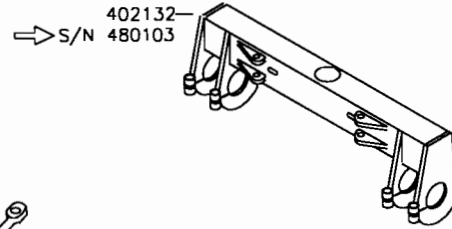
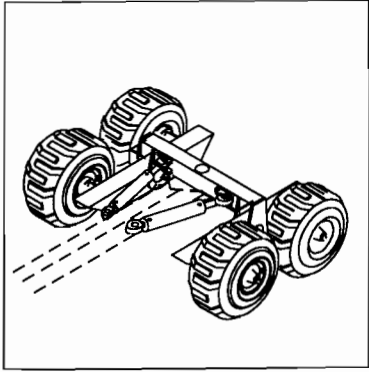


012202
012234
402129



| | |
|-------------------------|------------------------|
| Approved: <i>K-1</i> | Revised: T.K. 11.02.02 |
| | Issued: AIS 30.04.98 |

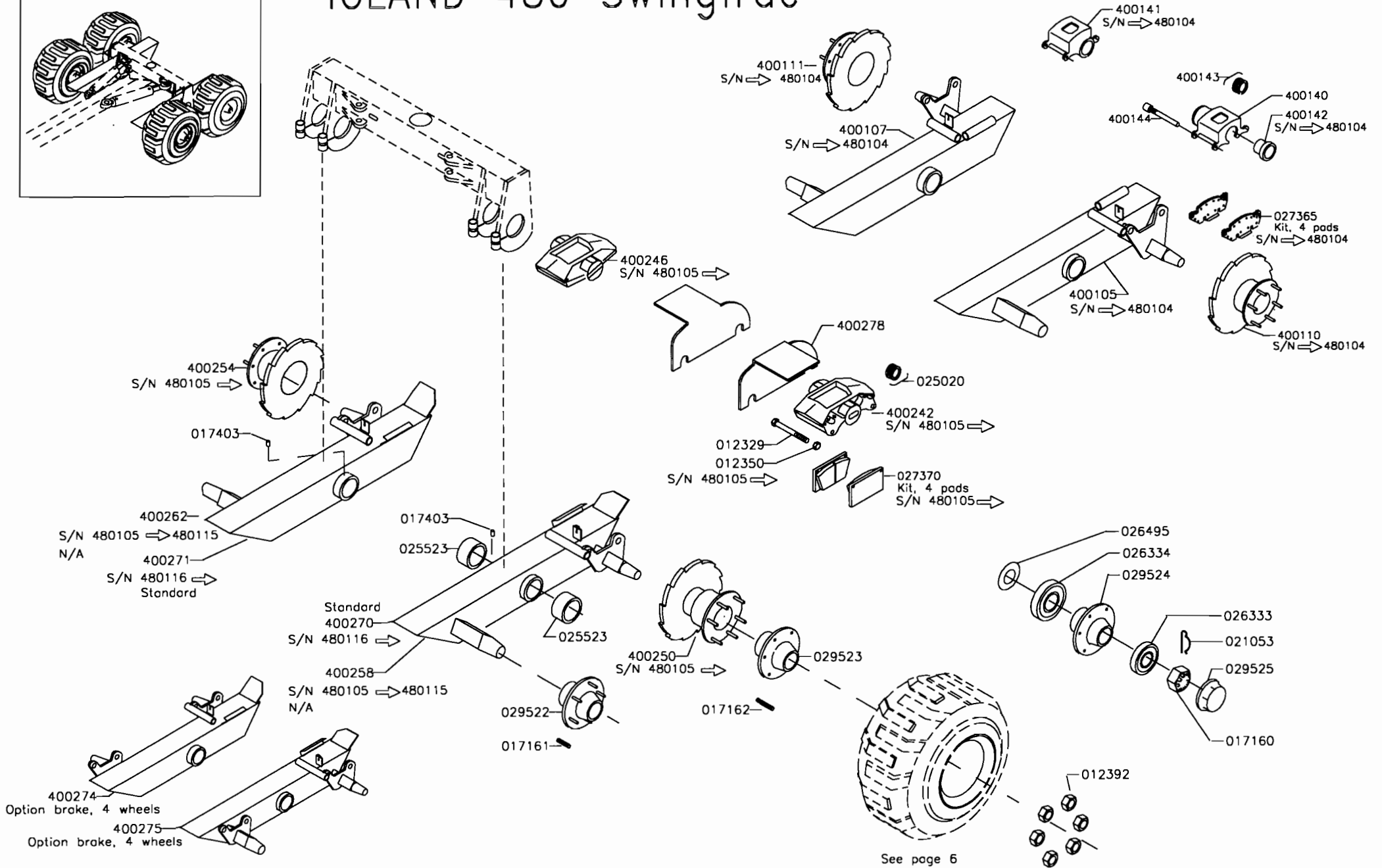
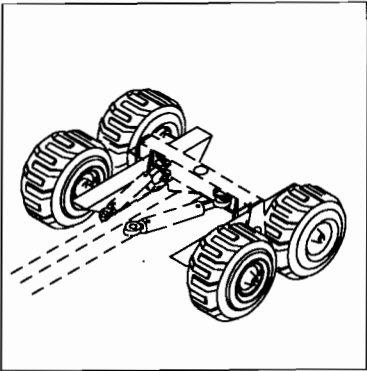
IGLAND 480 Swingtrac



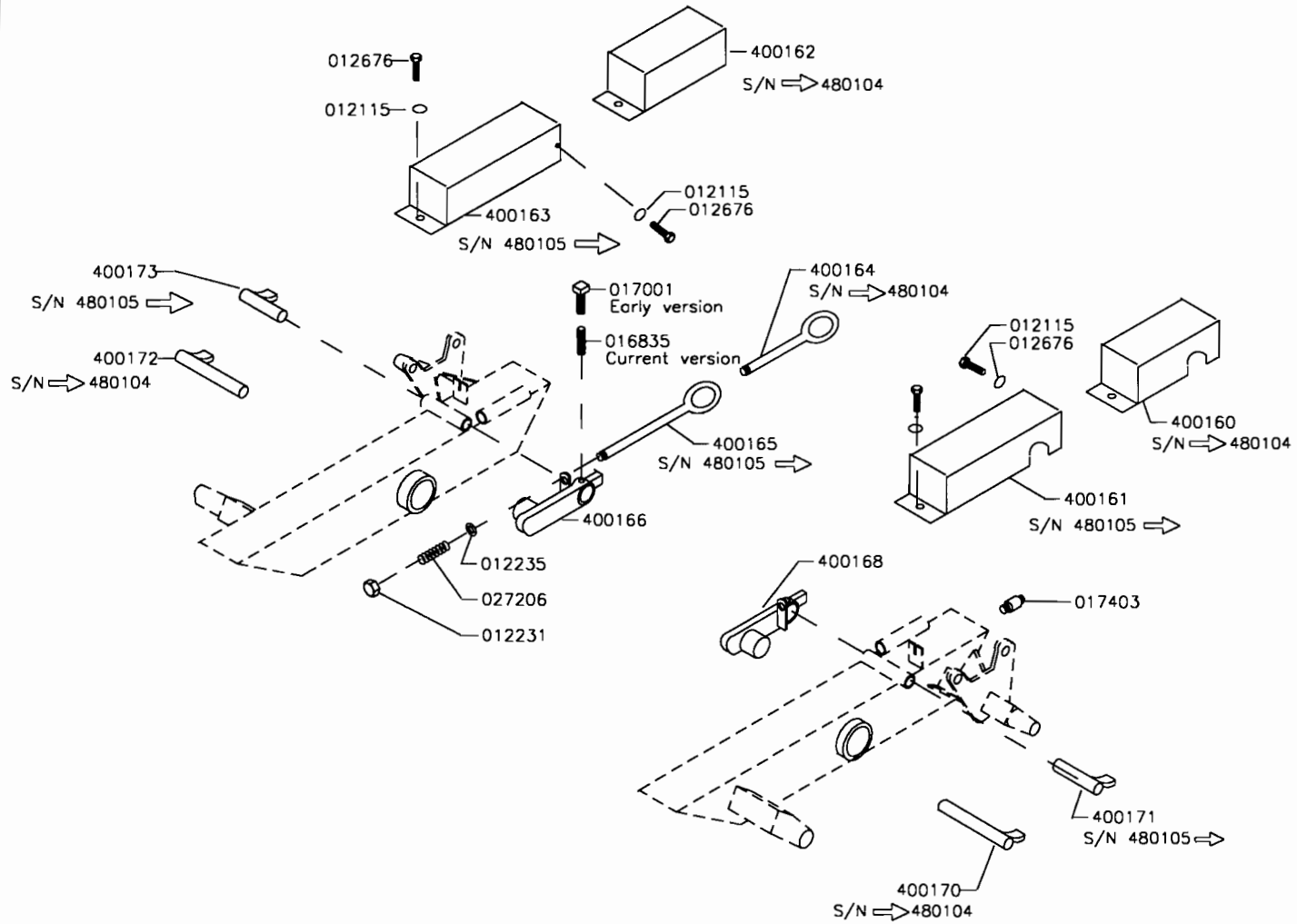
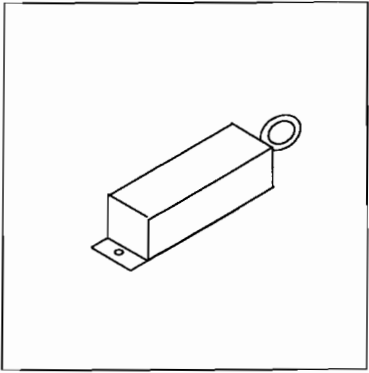
See page 3
Standard

See page 11
Hydraulic drive

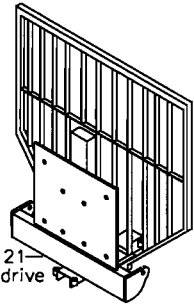
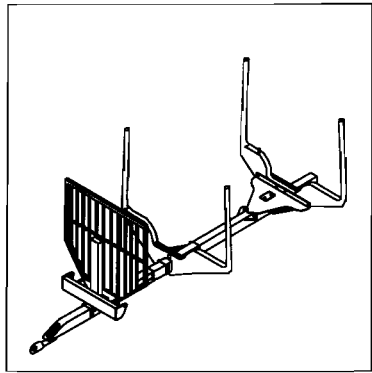
IGLAND 480 Swingtrac



IGLAND 480 Swingtrac



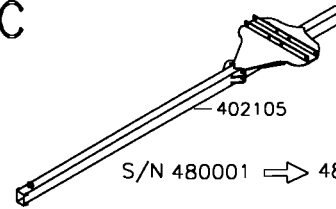
IGLAND 480 Swingtrac



402121
Hydraulic drive

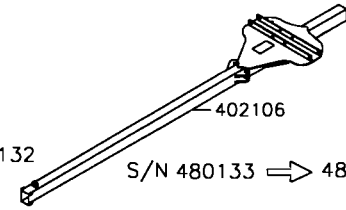
402145
S/N
480111

402149
S/N
480111



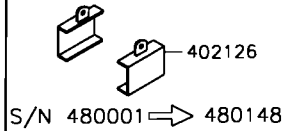
402105

S/N 480001 ⇒ 480132



402106

S/N 480133 ⇒ 480152



402126

S/N 480001 ⇒ 480148

012204
020185
012231

012204
012231
020185

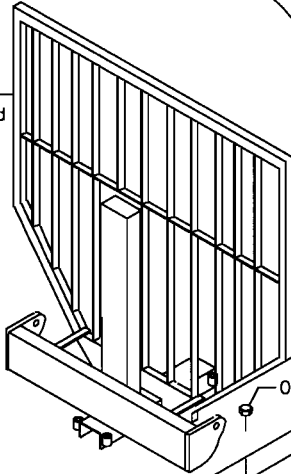
012430
402126

400174

S/N 480149 ⇒

402127
012420
012420

402120
Standard



012430

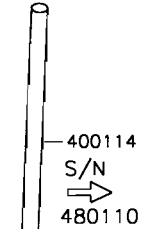
012840
012275

402152
S/N 480133

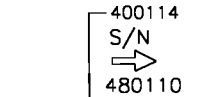
012430

012420

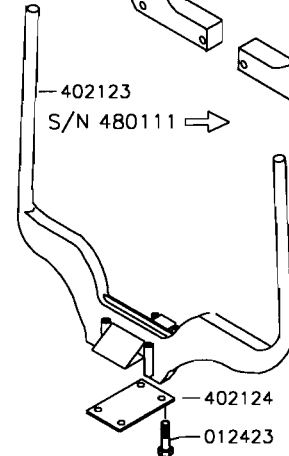
402149
S/N
480111



400114
S/N
480110



400114
S/N
480110



402123
S/N 480111 ⇒

402124
012423



402117
Option

017172
017173

402114

400148

017403

021004
020099

402070
S/N 480149 ⇒

400128

S/N 480001 ⇒ 480148

012423

012430

402108 N/A
Early version
S/N ⇒ 480104
Use P/N 402111

400125
S/N 480149 ⇒

012420
S/N 480105 ⇒ 480132

012422
S/N 480133 ⇒

402119 S/N 480133 ⇒

402118 N/A
S/N 480111 ⇒ 480132

012420 S/N 480105 ⇒ 480132

012422 S/N 480133 ⇒

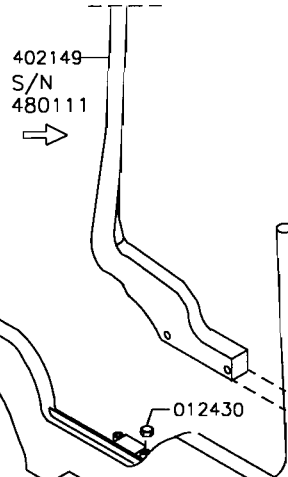
402107 S/N 480153 ⇒

402111 N/A
S/N 480105 ⇒ 480132

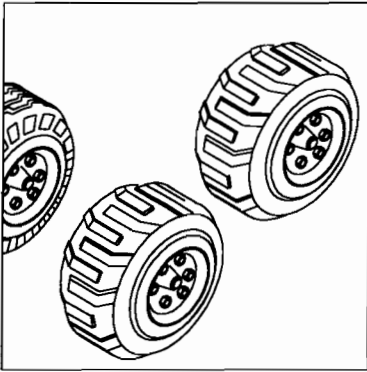
402112
S/N 480133 ⇒ 480148

017403

020099
021004



IGLAND 480 Swingtrac

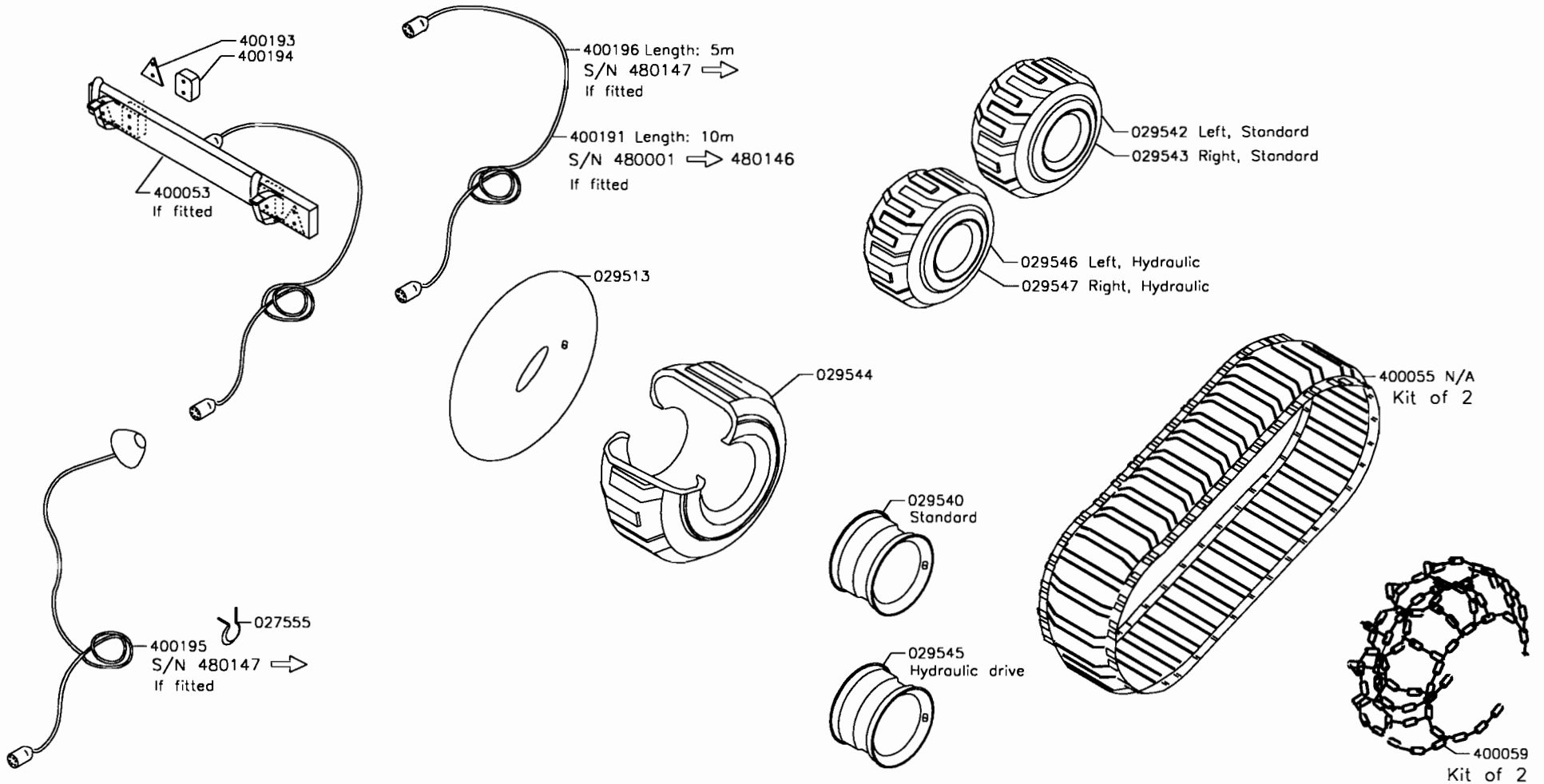


Wheels

Chains (Accessories): 400059

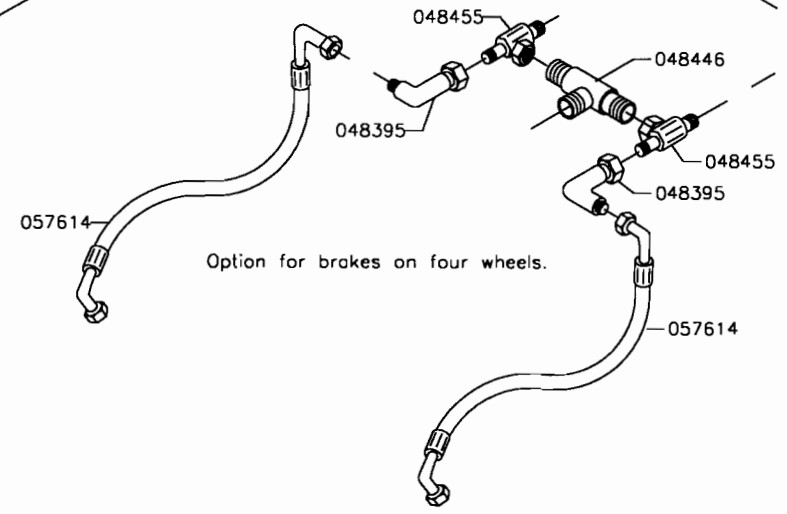
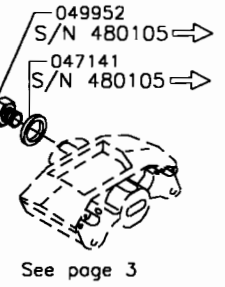
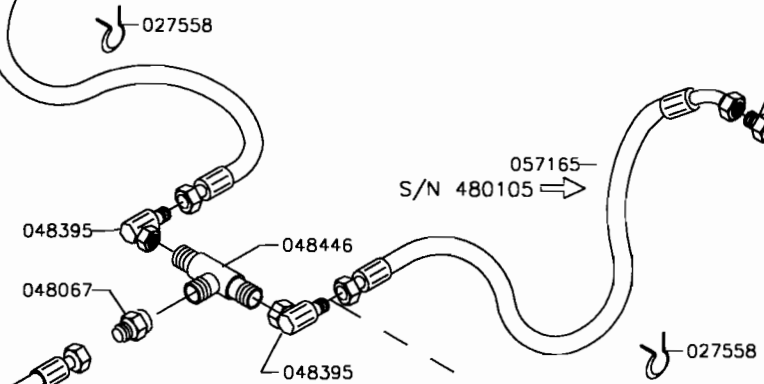
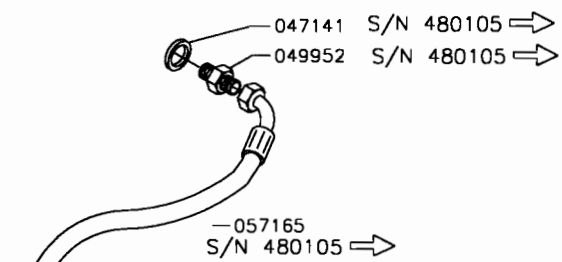
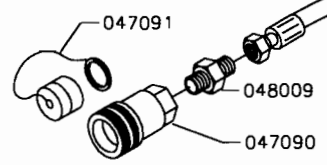
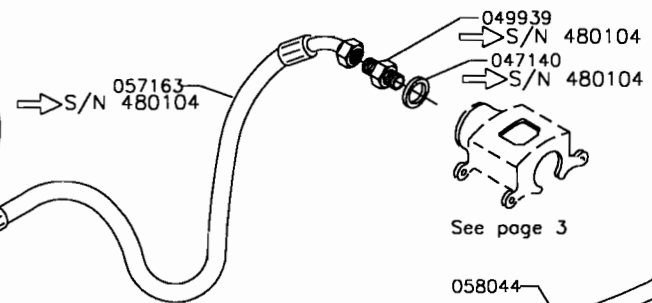
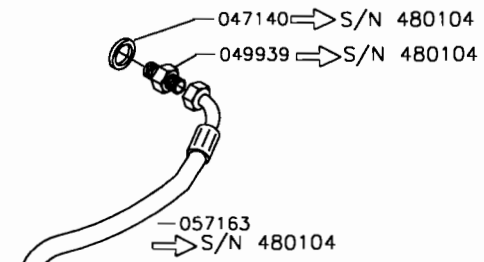
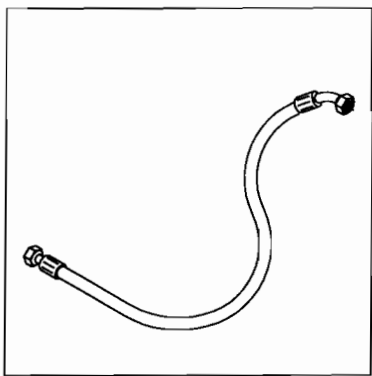
Belts (Accessories): 400054 N/A

Rear Light Bracket (Accessories): 400053



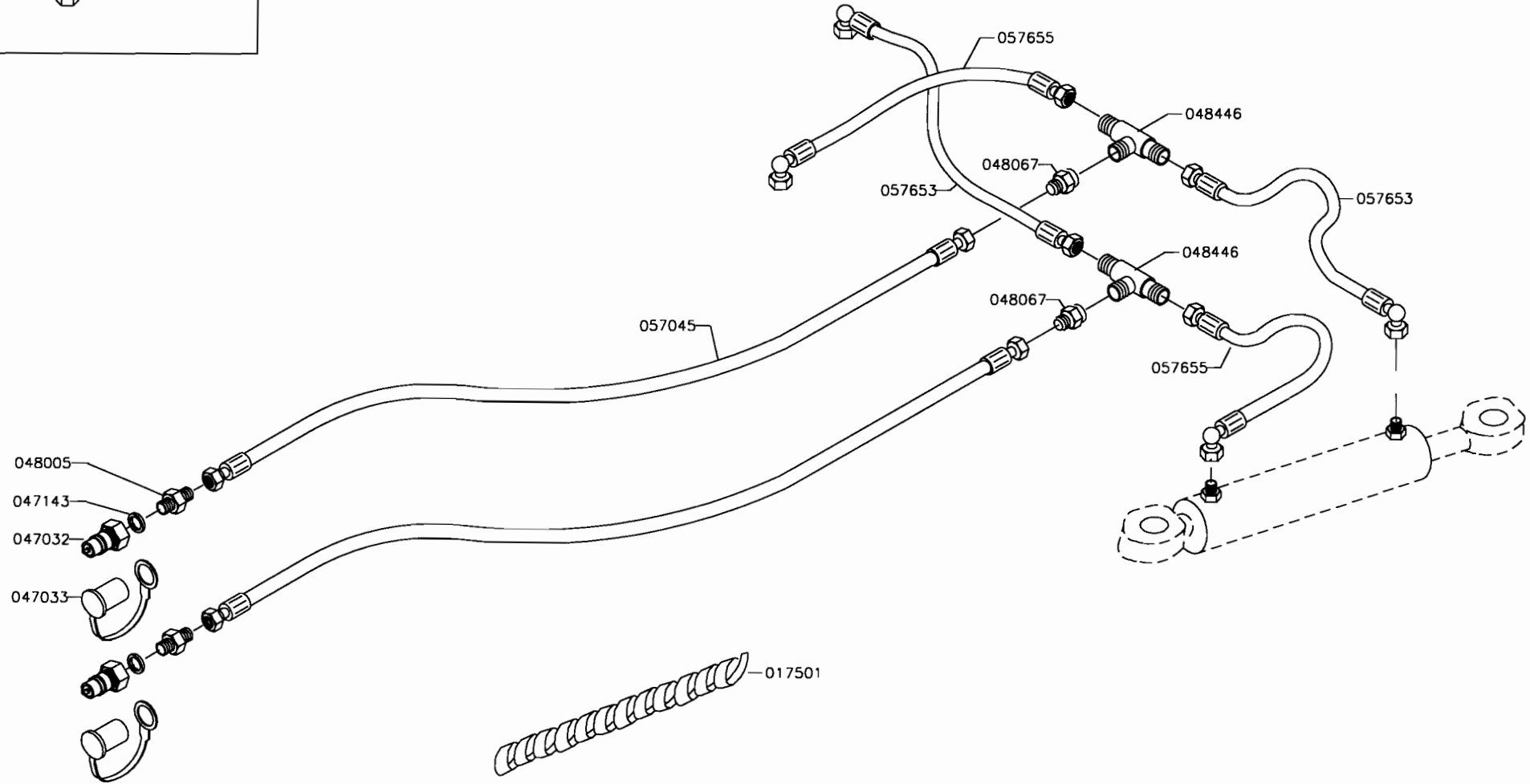
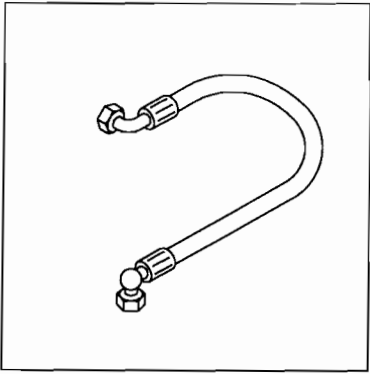
IGLAND 480 Swingtrac

HOSES FOR BRAKES

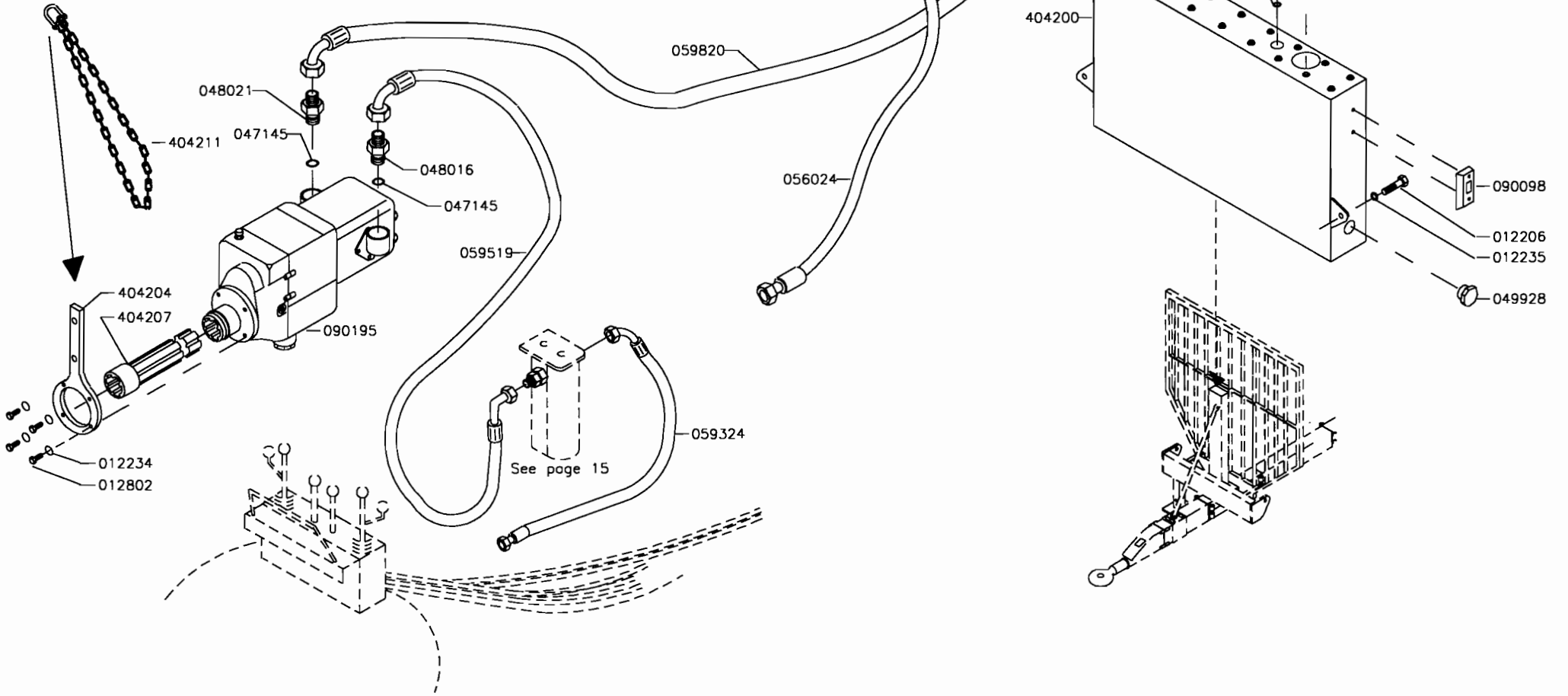
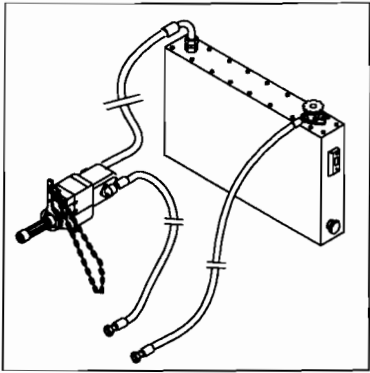


IGLAND 480 Swingtrac

HOSES FOR STEERING

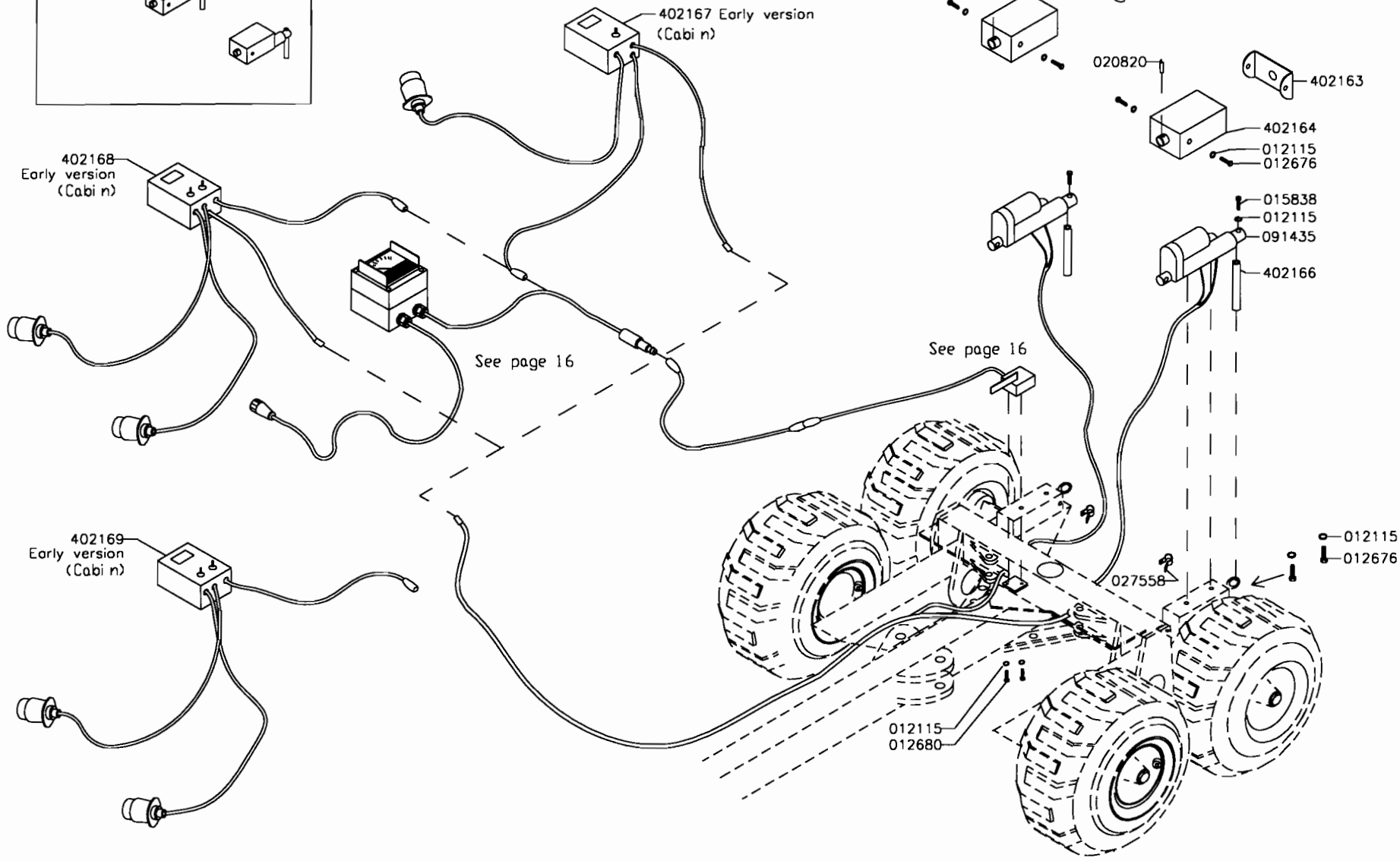
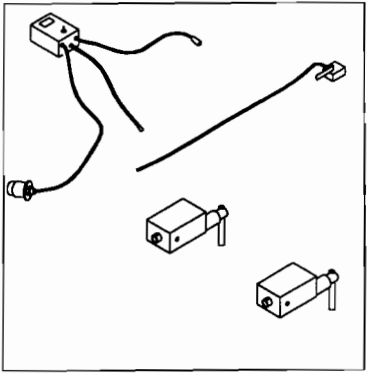


IGLAND 480 Swingtrac Oil Pump and Tank Option



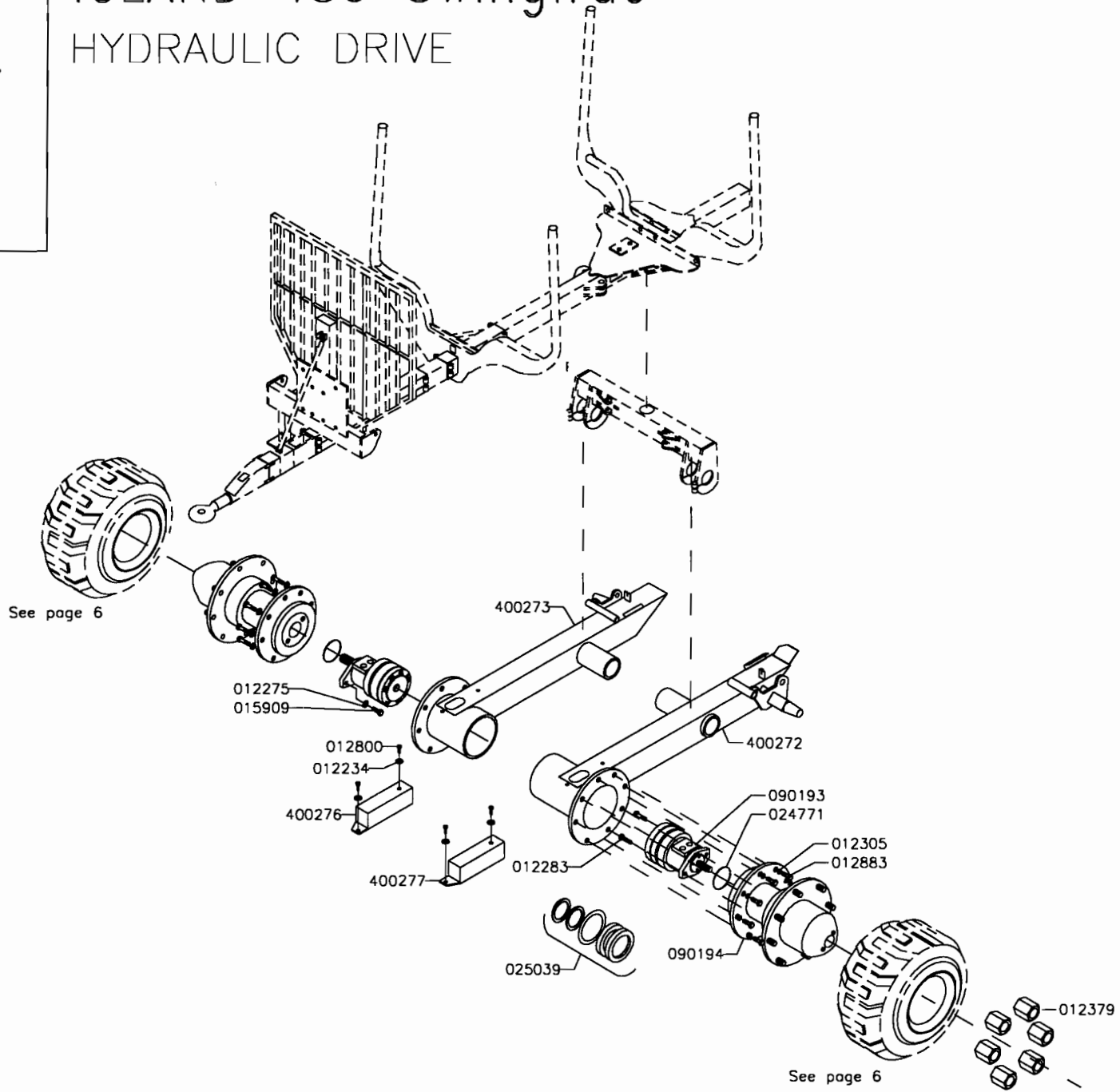
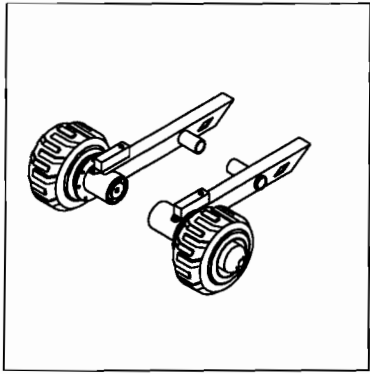
IGLAND 480 Swingtrac

Swing Actuator Option



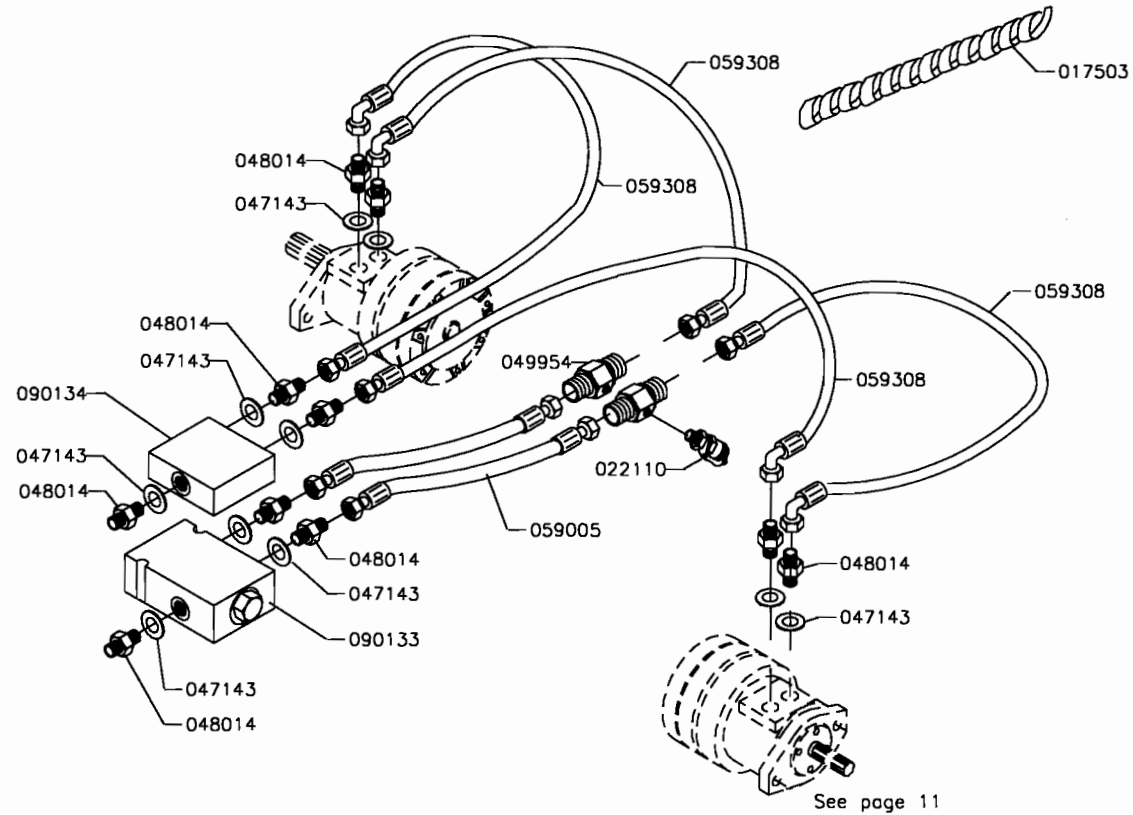
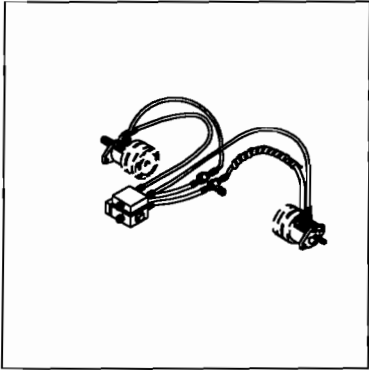
IGLAND 480 Swingtrac

HYDRAULIC DRIVE



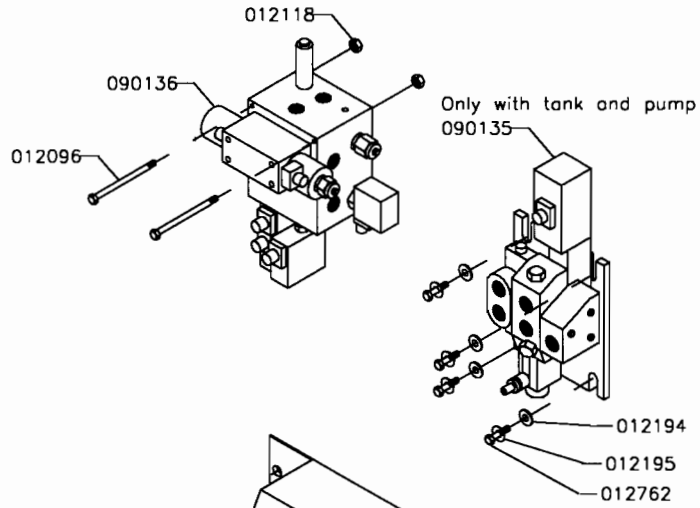
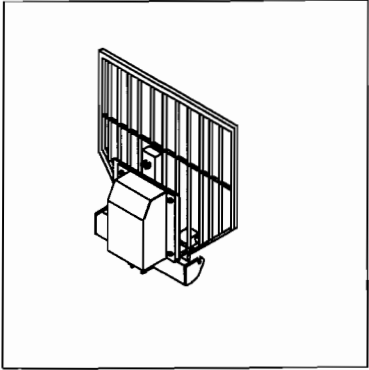
IGLAND 480 Swingtrac

HOSE AND NIPPLE FOR HYDRAULIC ENGINE

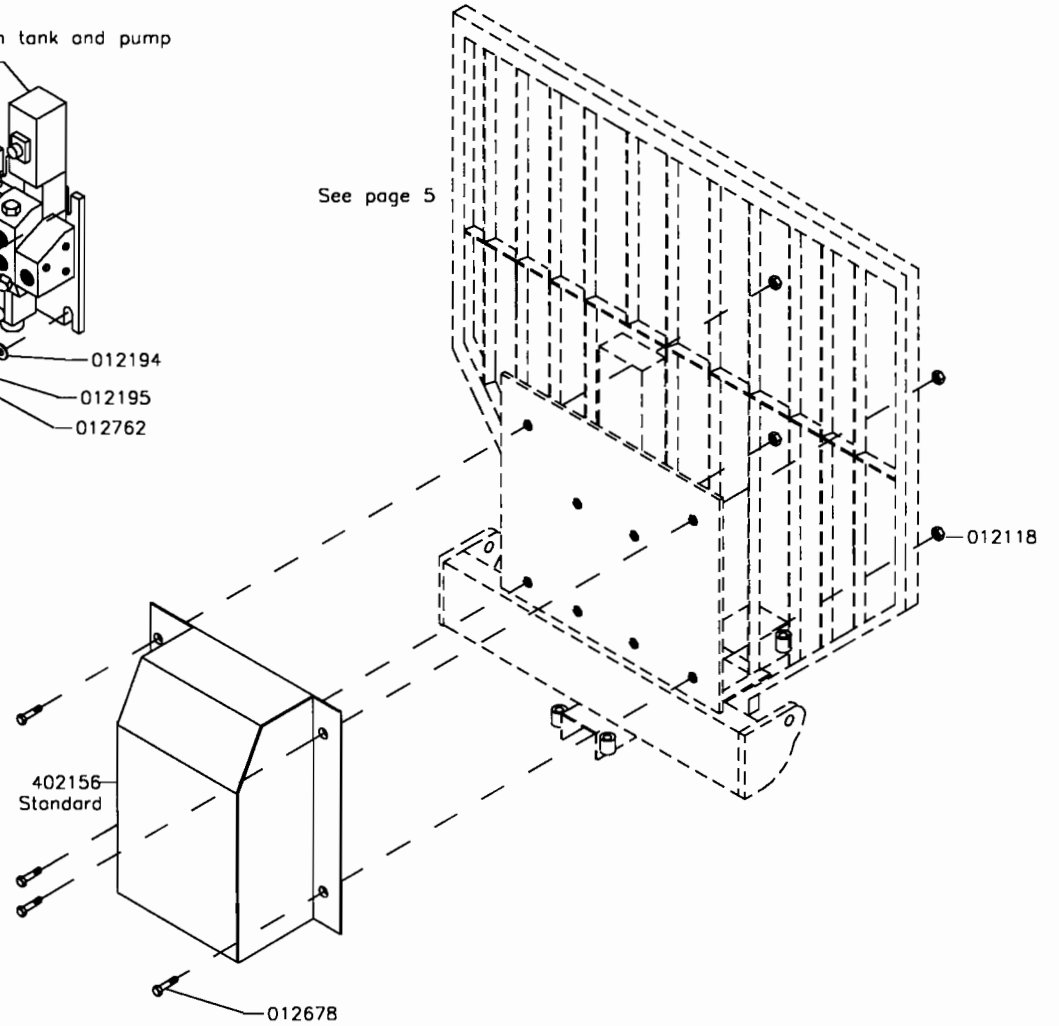
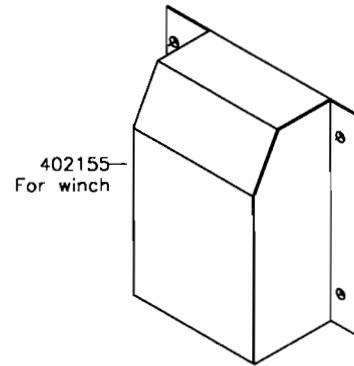


IGLAND 480 Swingtrac

VALVE FOR DRIVE

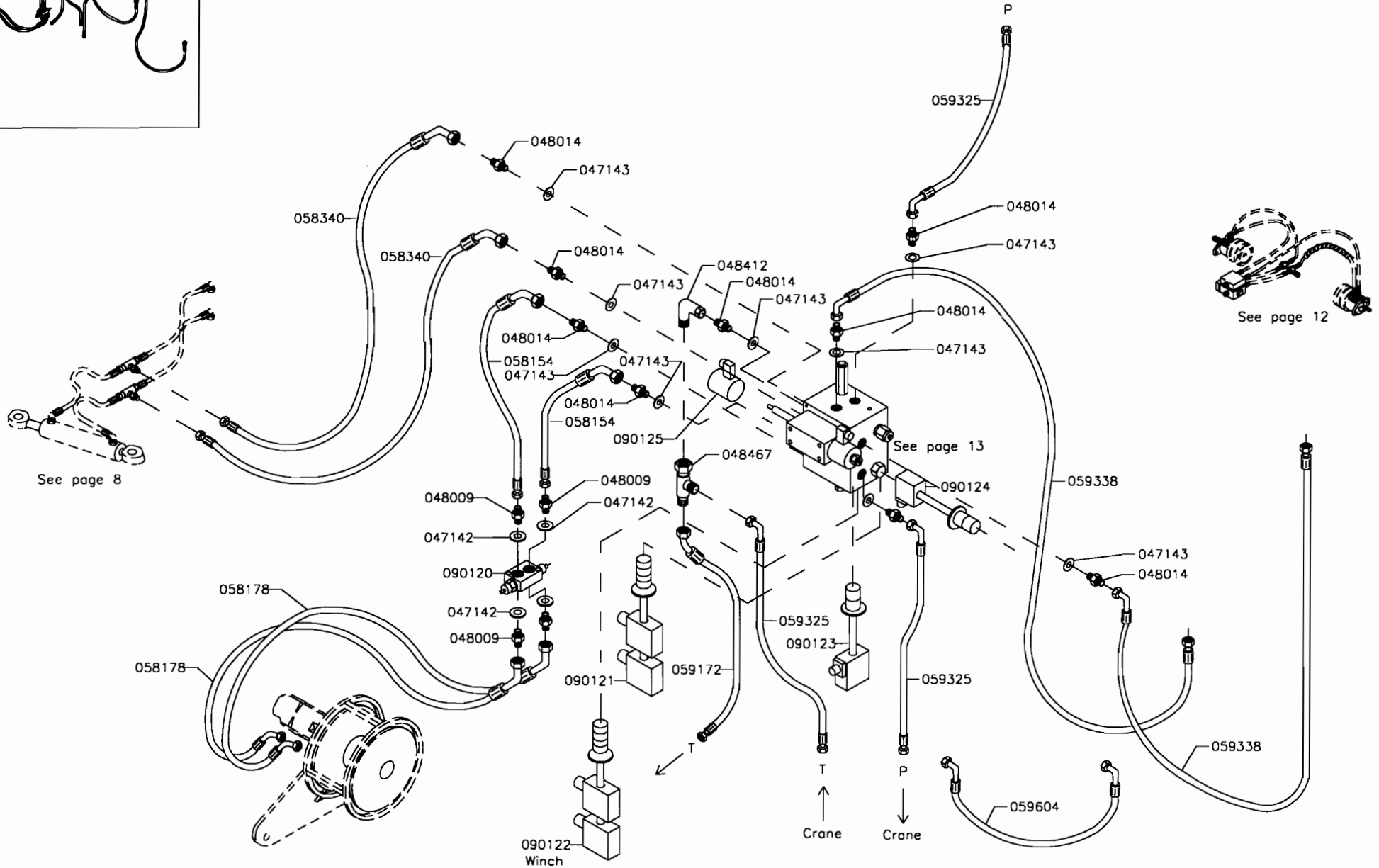
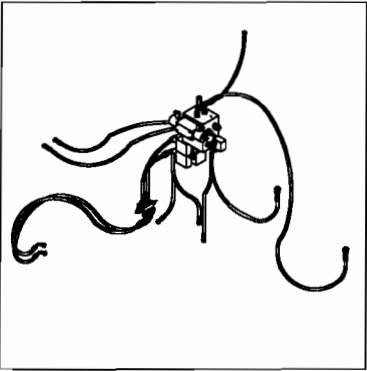


See page 5



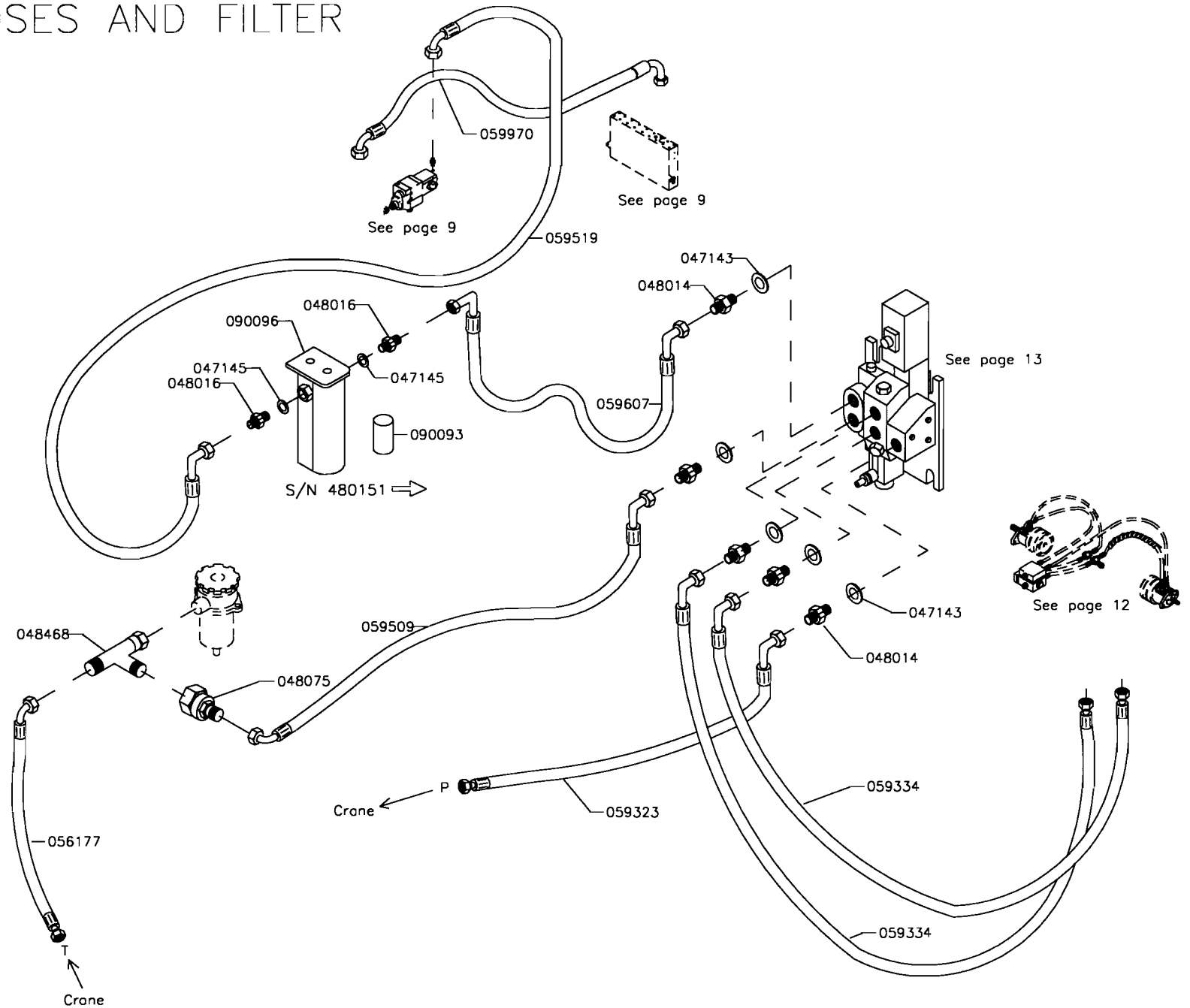
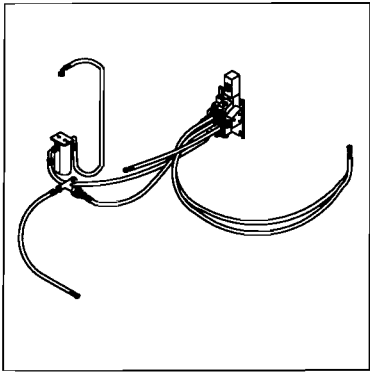
IGLAND 480 Swingtrac

HOSES



IGLAND 480 Swingtrac

HOSES AND FILTER



IGLAND 480 Swingtrac

CONTROL

