

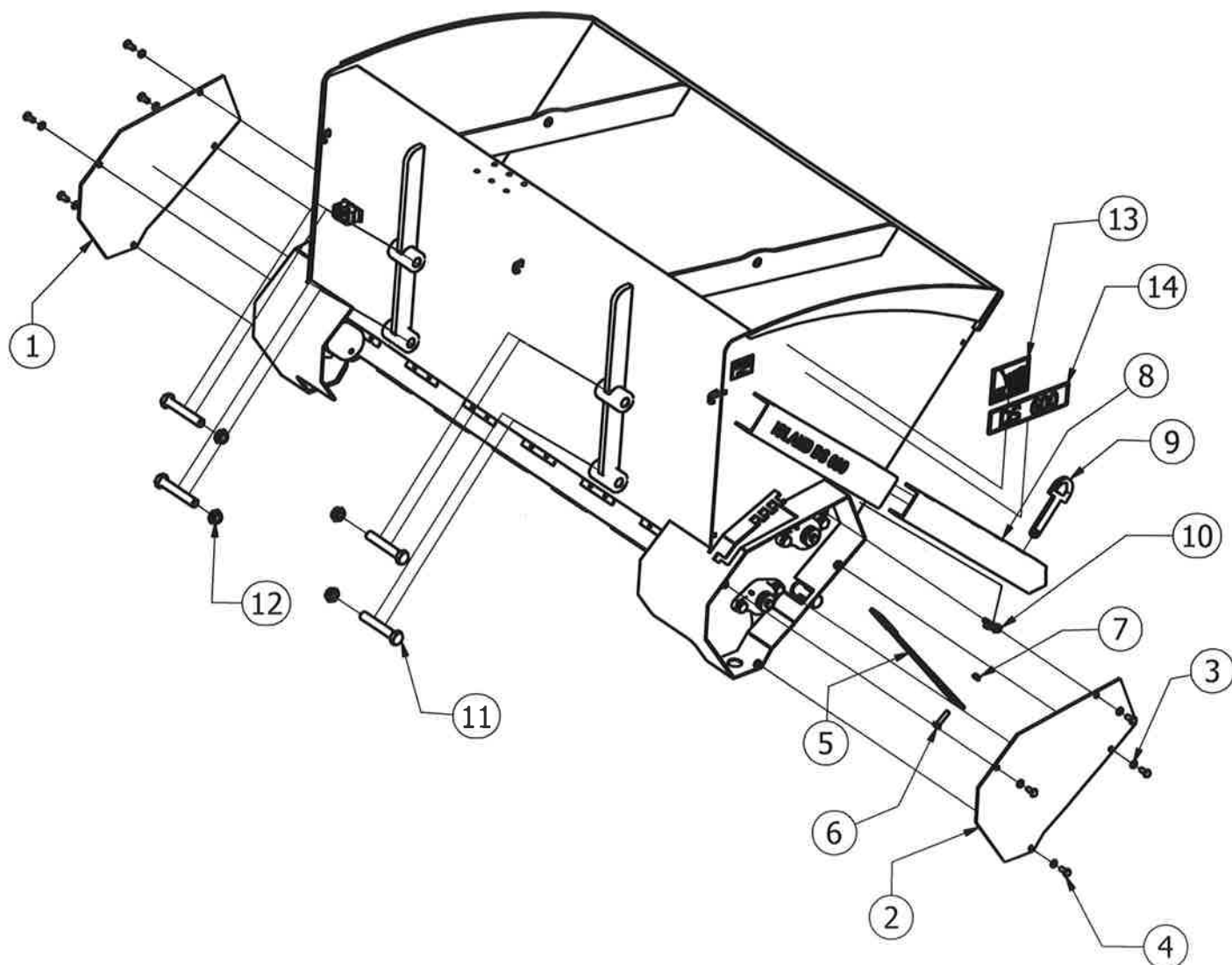


IGLAND DS 600

Parts Catalogue

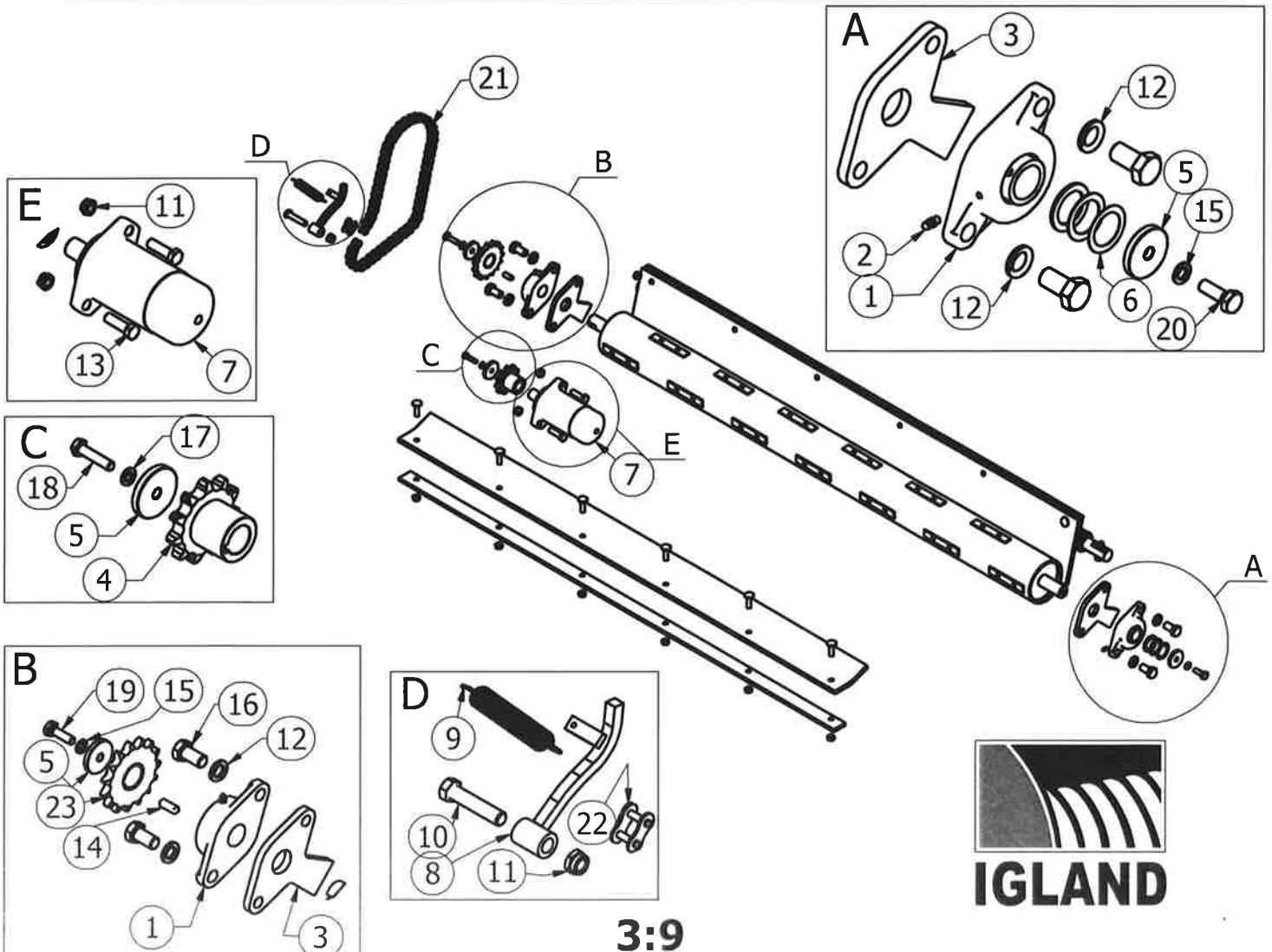
RESERVEDELSLISTE - SPARE PARTS LIST - ERSATZTEILLISTE

Pos	Art.No.	No	Beskrivelse	Description	Bezeichnung
1	610030	1	Deksel, høyre		
2	610032	1	Deksel, left		
3	012798	8	Bolt	Spring Washer	
4	012234	8	Skive, fjær	Hex-Head Bolt	
5	610054	1	Spak, mengderegulering	PL 6 x 470 x 48	
6	012805	1	Bolt	Hex-Head Bolt	
7	012231	1	Mutter	Hex Nut	
8	610034	2	Parkeringsbein		
9	610036	2	Bolt for parkeringsbein	PL 8 x 164 x 69	
10	021004	2	Orepinne	Orepinne	
11	012417	4	Bolt	Hex-Head Bolt	
12	012430	4	Mutter	Hex Nut	
13	390815	2	Klebmerke, IGLAND Logo		
14	391343	2	Klebmerke DS 600		


IGLAND

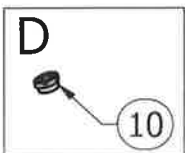
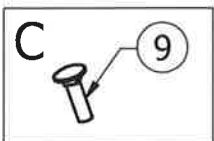
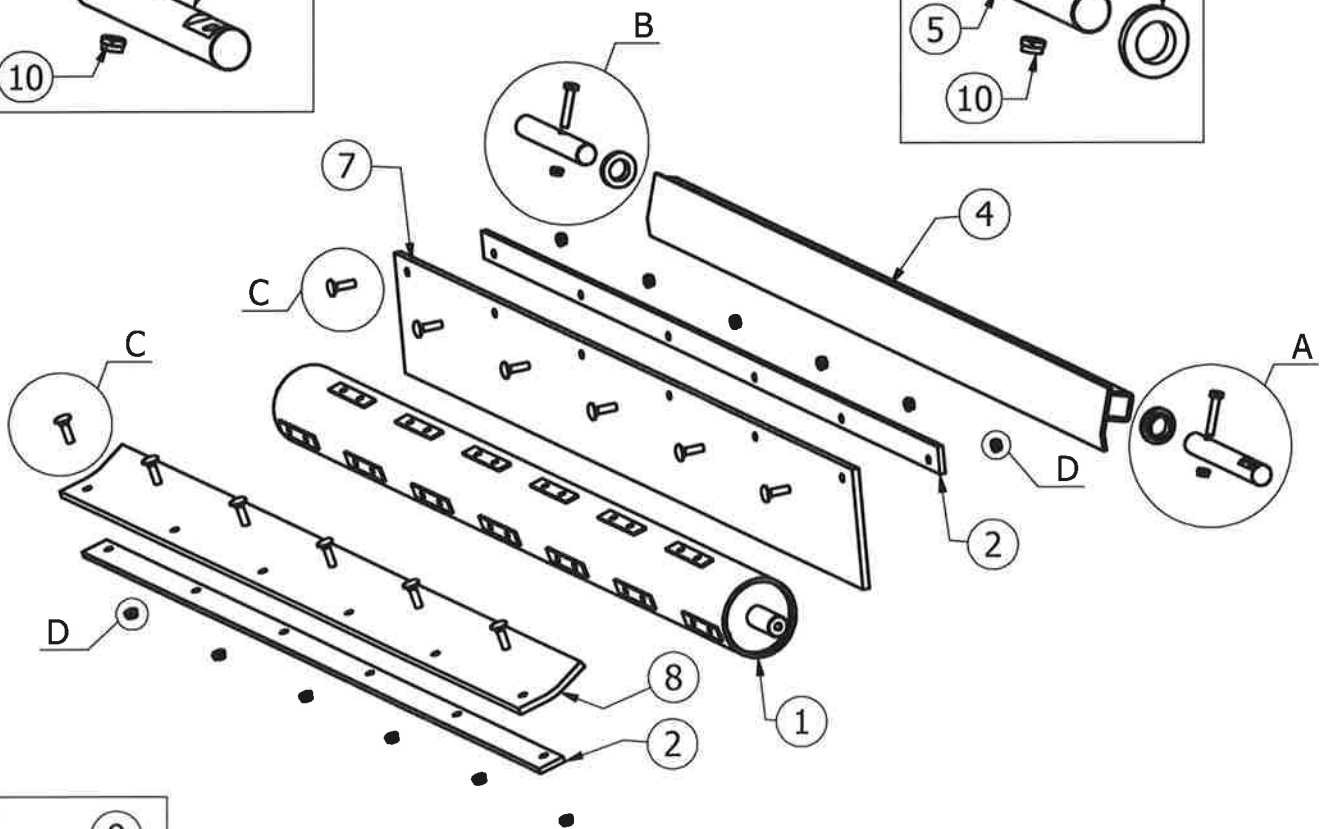
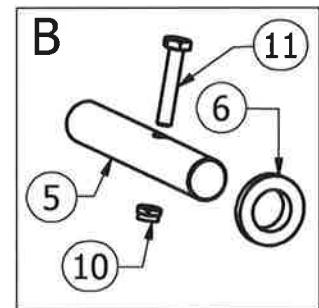
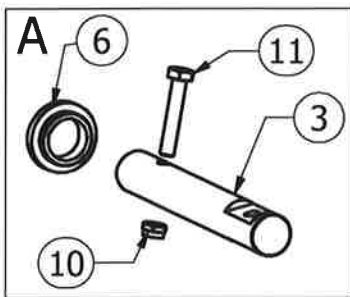
RESERVEDELSLISTE - SPARE PARTS LIST - ERSATZTEILLISTE

Pos	Art.No.	No	Beskrivelse	Description	Bezeichnung
1	026374	2	Lager	Bearing	
2	017403	2	Smørenippel	Lubricating Nipple, coned Type A	
3	610028	2	Holder	PL 10 x 148 x 136	
4	610042	1	Kjedehjul	Chain wheel	
5	610058	3	Skive	Washer	
6	031215	1	Shims, sett	Shims, set	
7	610070	1	Oljemotor	Oil engine	
8	070446	1	Kjedestrammesko	Chain tensioner	
9	027250	1	Fjær	Spring	
10	012248	1	Bolt	Hex-Head Bolt	
11	012270	3	Mutter	Hex Nut	
12	012355	4	Skive	Spring Washer	
13	012245	2	Bolt	Hex-Head Bolt	
14	610046	1	Kile	Wedge	
15	012234	2	Skive	Spring Washer	
16	012923	4	Bolt	Hex-Head Bolt	
17	012195	1	Skive	Spring Washer	
18	012164	1	Bolt	Hex-Head Bolt	
19	012804	1	Bolt	Hex-Head Bolt	
20	012803	1	Bolt	Hex-Head Bolt	
21	070371	1	Kjede	Chain	
22	070369	1	Kjedelås	Chain locking	
23	610040	1	Kjedehjul	Chain wheel	



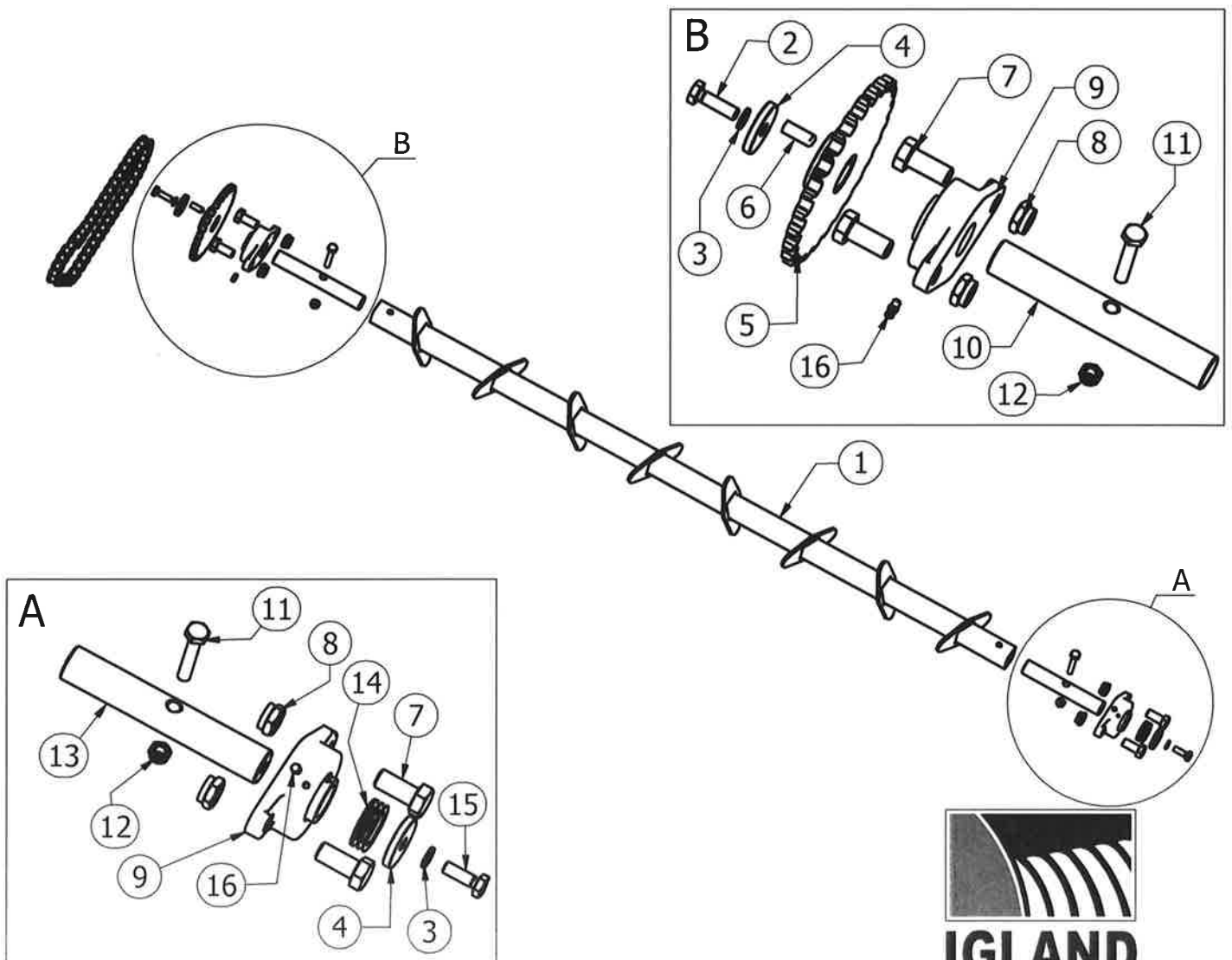
RESERVEDELSLISTE - SPARE PARTS LIST - ERSATZTEILLISTE

Pos	Art.No.	No	Beskrivelse	Description	Bezeichnung
1	611116	1	Materull	Feed screw	
2	611118	2	List	Attachment	
3	610056	1	Bolt, for spak	Bolt	
4	611120	1	Klaff, mengde	Regulation plate	
5	610066	1	Bolt, klaff	Bolt	
6	610052	2	Foring, pvc	Sleeve	
7	611114	1	Gummiklaff	Rubber plate	
8	611112	1	Gummiklaff	Rubber plate	
9	016064	12	Låseskrue	Locking nut	
10	012231	14	Mutter	Hex Nut	
11	012208	2	Skrue	Hex-Head Bolt	



RESERVEDELSLISTE - SPARE PARTS LIST - ERSATZTEILLISTE

Pos	Art.No.	No	Beskrivelse	Description	Bezeichnung
1	611122	1	Omrører		
2	012804	1	Bolt	Hex-Head Bolt	
3	012234	2	Skive	Spring Washer	
4	610058	2	Skive	Washer	
5	610044	1	Kjedehjul	Chain wheel	
6	610046	1	Kile	Wedge	
7	012924	4	Bolt	Hex-Head Bolt	
8	012350	4	Mutter	Hex Nut	
9	026374	2	Lager	Bearing	
10	610062	1	Aksel	Bolt	
11	012208	2	Bolt	Hex-Head Bolt	
12	012231	2	Mutter	Hex Nut	
13	610064	1	Aksel	Bolt	
14	031215	1	Shims, sett	Shims, set	
15	012803	1	Bolt	Hex-Head Bolt	
16	017403	2	Smørenippel	Lubricating Nipple, coned Type A	

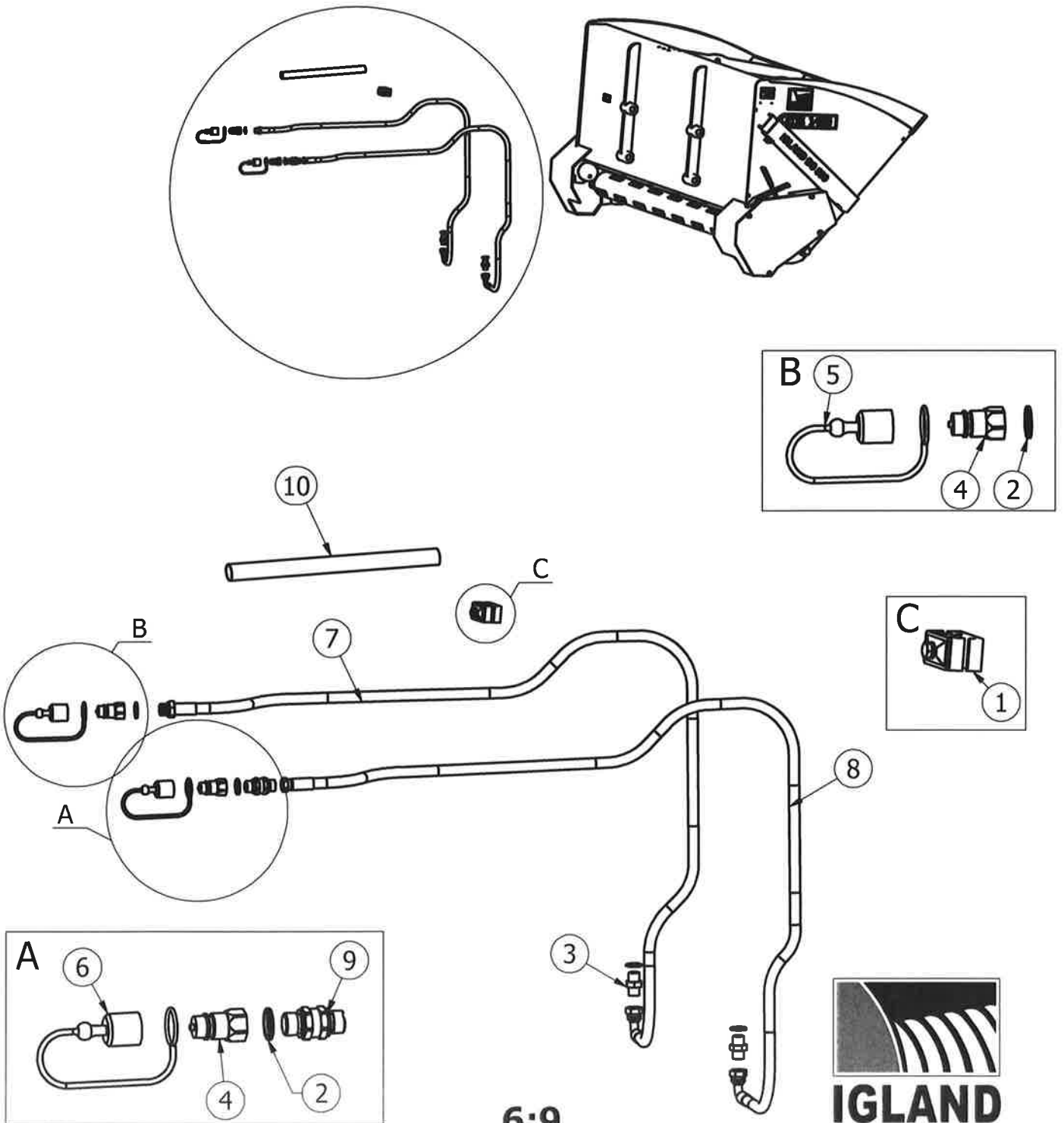


5:9



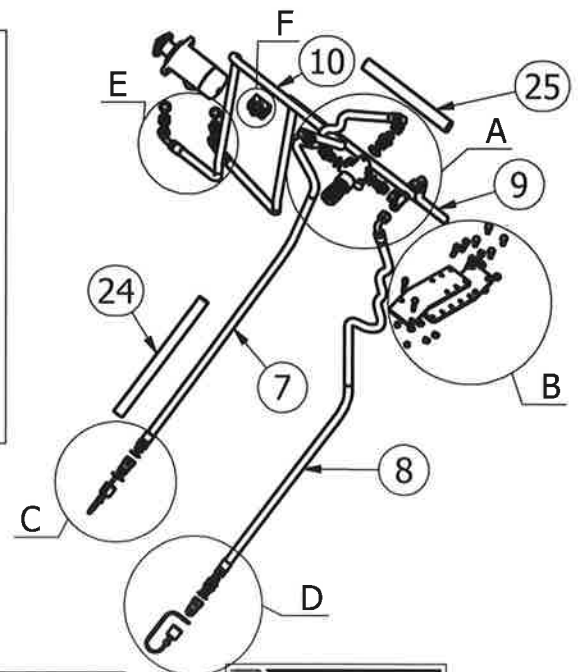
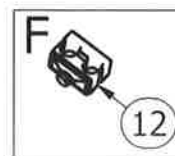
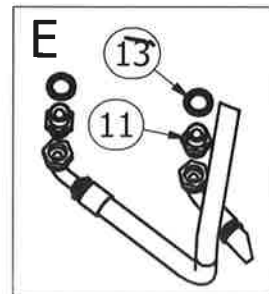
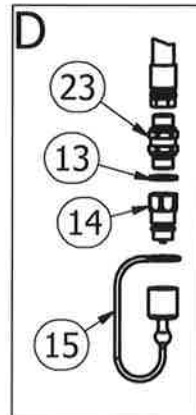
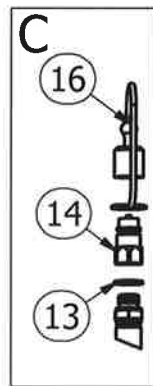
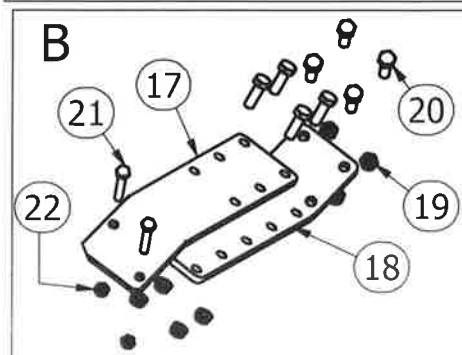
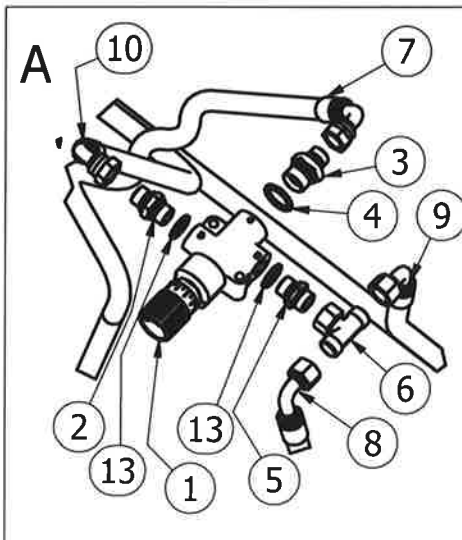
RESERVEDELSLISTE - SPARE PARTS LIST - ERSATZTEILLISTE

Pos	Art.No.	No	Beskrivelse	Description	Bezeichnung
1	610072	2	Klammer, dobbelt	Clamp	
2	047143	4	Skive m/gummipakning	Washer w/rubber	
3	048010	2	Ansats	Coupler	
4	047032	2	Hurtigkobling han	Quick coupler	
5	047033	1	Støvhette, rød	Dust protection, red	
6	047034	1	Støvhette, blå	Dust protection blue	
7	059273	1	Slange	Hose	
8	059322	1	Slange	Hose	
9	090062	1	Tilbakeslagsventil	Valve	
10	017611	1	Strømpe, Ø55, 1,75 meter	Hose protection	



RESERVEDELSLISTE - SPARE PARTS LIST - ERSATZTEILLISTE

Pos	Art.No.	No	Beskrivelse	Description	Bezeichnung
-	611005	1	Reguleringsventil for utmatingshastighet, komplett, fabrikkmontert (option)	Valve for speed, compl.	
-	611006	1	Reguleringsventil for utmatingshastighet, komplett, for ettermontering	Valve for speed, compl. for retrofit	
1	090380	1	Mengdereguleringsventil	Flow control valve	
2	048014	1	Overgang	Niple	
3	048016	1	Overgang	Niple	
4	047145	1	Gummistålbrikke	Washer w/rubber	
5	034156	1	Overgang	Niple	
6	033644	1	T-kobling	T- Niple	
7	059268	1	Slange	Hose	
8	059320	1	Slange	Hose	
9	059620	1	Slange	Hose	
10	059619	1	Slange	Hose	
11	048014	2	Overgang	Niple	
12	610072	1	Slangeholder	Clamp	
13	047143	6	Gummistålbrikke	Washer w/rubber	
14	047032	2	Hurtigkobling	Quick coupler	
15	047034	1	Støvhette	Dust protection	
16	047033	1	Støvhette, rød	Dust protection	
17	610076	1	Holder, øvre del	Attach upper part	
18	610078	1	Holder, nedre del	Attach lower part	
19	012231	8	Mutter	Hex Nut	
20	012803	8	Bolt	Hex-Head Bolt	
21	012168	2	Bolt	Hex-Head Bolt	
22	012198	2	Mutter	Hex Nut	
23	090062	1	Tilbakeslagsventil	Valve	
24	017611	1	Strømpe, ø55, 1,75m	Hose protection	
25	017608	1	Strømpe, ø55, 1,4m	Hoseprotection	

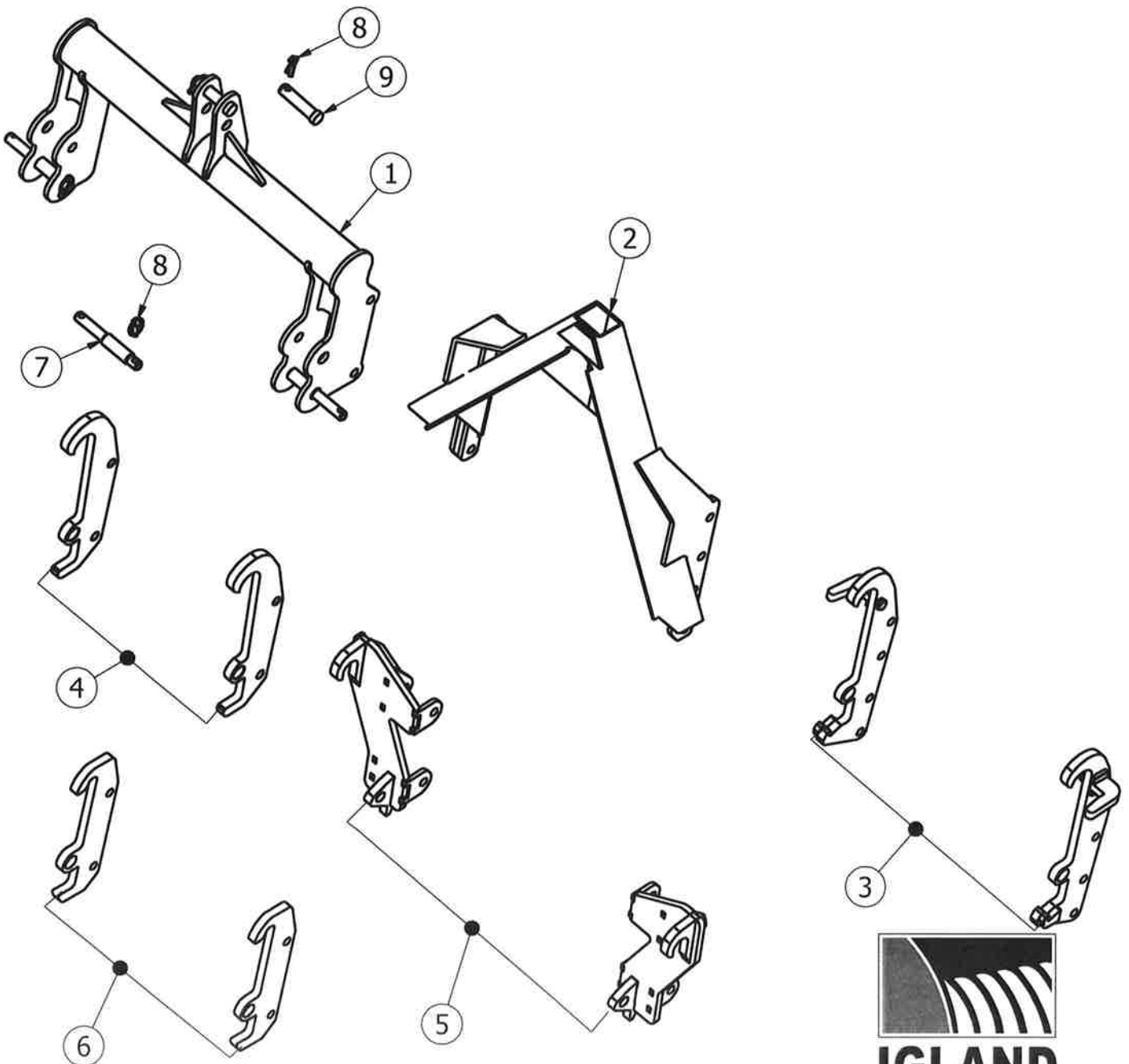


7:9



IGLAND

RESERVEDELSLISTE - SPARE PARTS LIST - ERSATZTEILLISTE					
Pos	Art.No.	No	Beskrivelse	Description	Bezeichnung
1	500063	1	3-pkt. feste	3 hitch attach	
2	500059	1	Triangel feste	triangle attach	
3	500056	1	HMV / SMS, sett	HMV / SMS attach, set	
4	500050	1	Trima / SMS, sett	Trima / SMS attach, set	
5	500062	1	Ålø / Euro, sett	Ålø / Euro attach, set	
6	500053	1	Ålø type 3, sett	Ålø type 3 attach, set	
7	021320	2	Trekkstagbolt kat 1-2	Bolt	
8	021004	3	Orepinne	Locking pin	
9	020177	1	Toppstagbolt Kat. 2.	Bolt $\varnothing 30$ L=114	



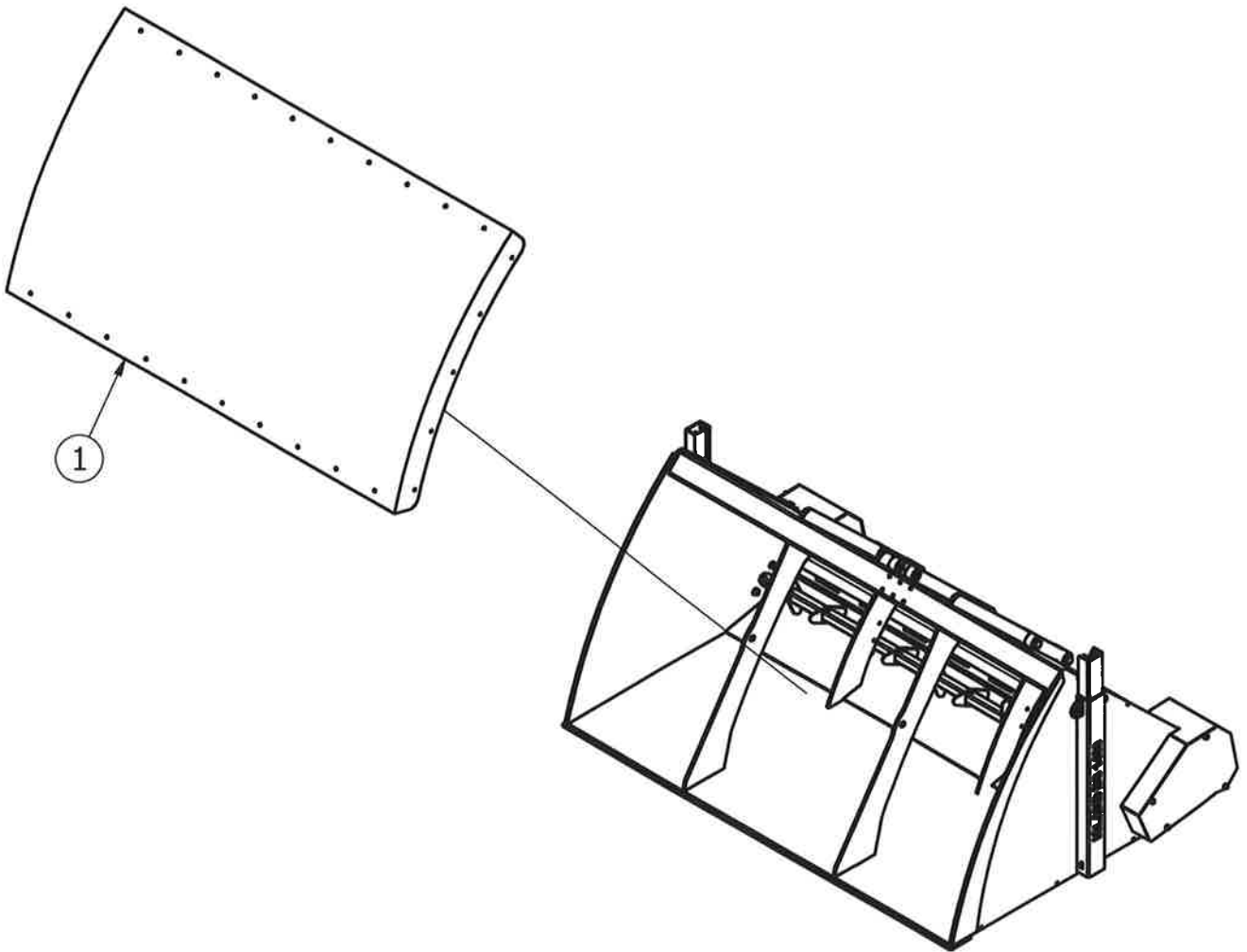
8:9



TILLEGGSTYR

RESERVEDELSLISTE - SPARE PARTS LIST - ERSATZTEILLISTE

Pos	Art.No.	No	Beskrivelse	Description	Bezeichnung
1	611104	1	Beskyttelsestrekk m/ festesnor	Protection traits	

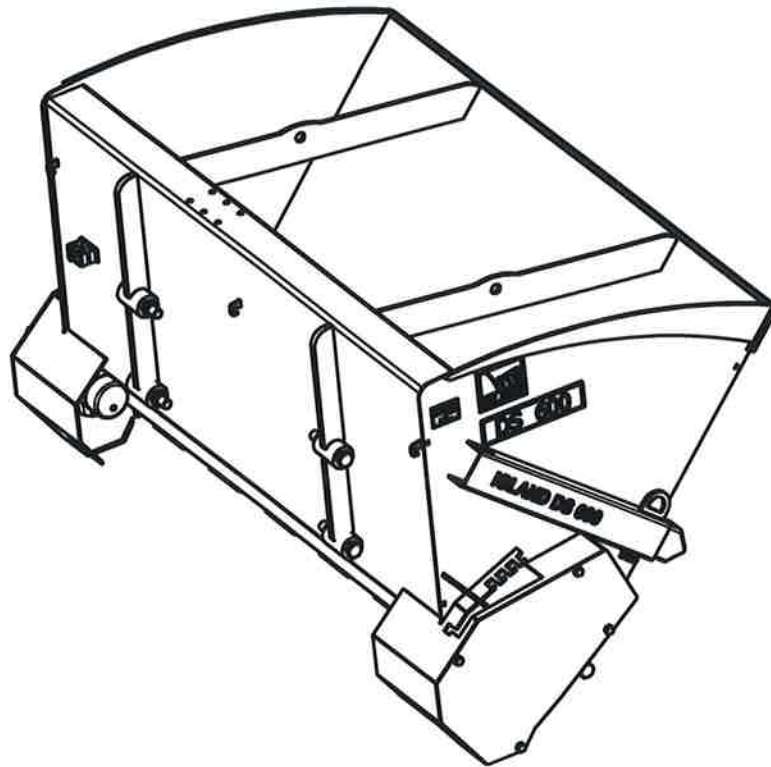


9:9




IGLAND

IGLAND DS 600



© IGLAND AS

- Gjengivelse av tekst og tegninger uten tillatelse forbudt.
- Reproduction of text or illustrations without permission is prohibited.
- Eine wiedergabe von Texten und Zeichnungen ohne unsere Genehmigung ist nicht gestattet.
- Interdiction de taute reproduction de texts ou d'illustations sans autorisation préalable

Approved:	Revised:
	Issued: 17.01.2018
	P/N: 390593
F:\DELEKATALOG\IGLAND\DS600.pdf	

IGLAND AS

Roresanden 109

N-4885 Grimstad, Norway

Phone + 47 37 25 62 00

Fax + 47 37 25 62 01

Mail: corporate@igland-as.com

<http://www.igland-as.com>



IGLAND