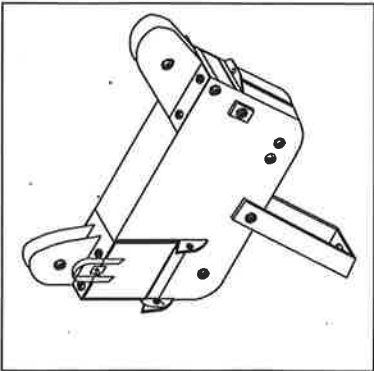


IGLAND Carriage with Radio Control for High Lead, P/N 304020



IGLAND

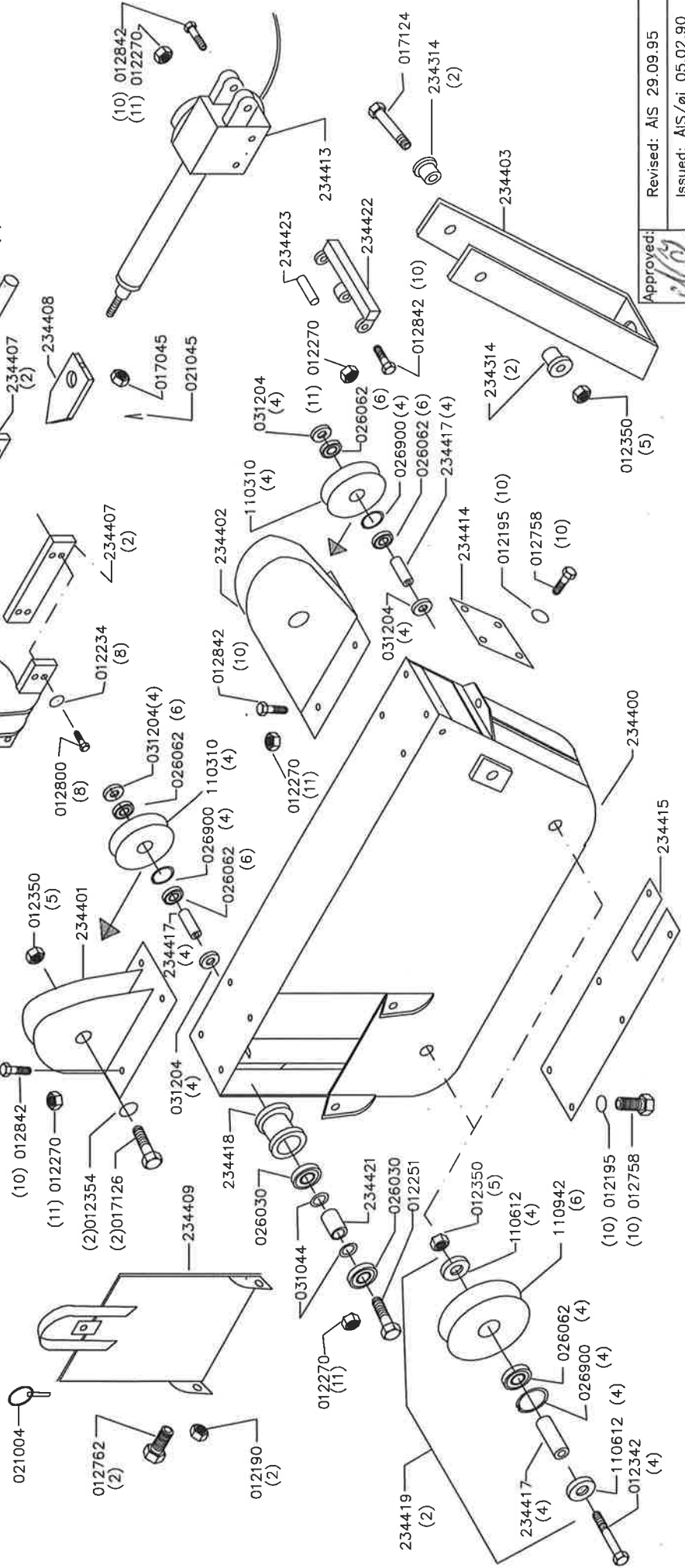
Carriage
for High Lead, P/N 304020



GENERAL INFO:

This Parts Catalogue supersedes Parts List
No.: 2344-00.

This Catalogue: P/N 390571



Approved: *M.G.*

Revised: AIS 29.09.95
Issued: AIS/øi 05.02.90

IGLAND Carriage with Radio Control

Carriage for High Lead, Control System

