

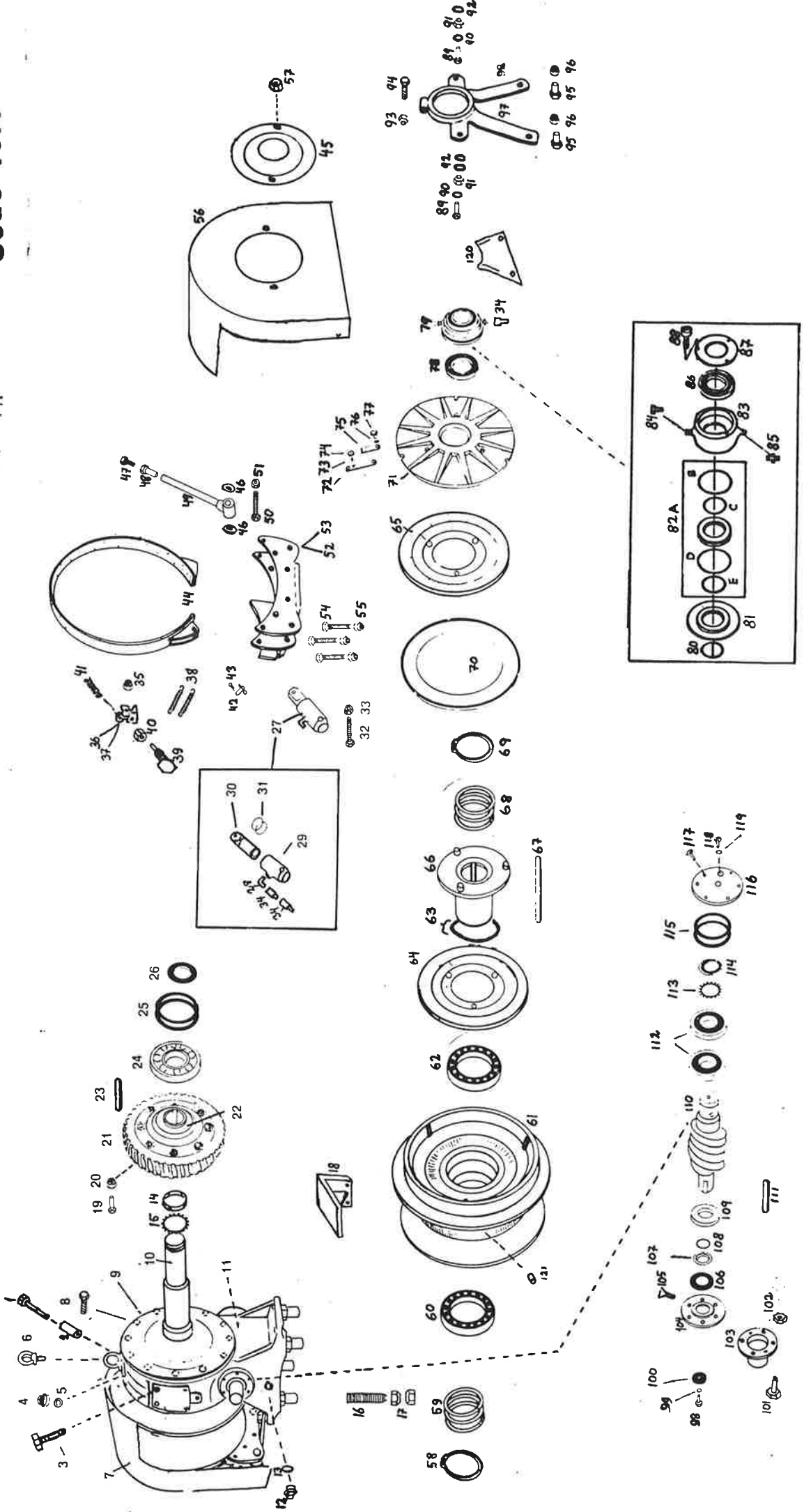


# 8002 F

# PARTS LIST

# A

Code 1811-0





# 8002 F

# PARTS LIST

# A

Code 1811-0

Fig. no.	Part no.	Description	Qty.	Fig. no.	Part no.	Description	Qty.	Fig. no.	Part no.	Description	Qty.
1	181110	I gland 8002	2	47	011248	Lock screw 5/8x1-3/4 UNC	2	90	012275	Securing washer 12mm	4
2	012251	Screw M12x70	2	48	181016	Span nut	2	91	012277	Nut M12	4
3	181110	Sleeve	2	49	181017	Brake can lever	2	92	012274	Washer M12	4
4	012843	Screw M12x30	4	50	012335	Screw M16x100	2	93	012270	Nut M12	2
5	017030	Oil filler plug 3/4R	1	51	012350	Nut M16	2	94	012250	Screw M12x65	2
6	017031	Seal for plug 3/4	1	52	181018	Bracket Right	1	95	141149	Screw 5/8x1-3/4UNF	4
7	017015	Eyebolt	1	53	181019	Bracket Left	1	96	010371	Nut 5/8UNF (Low)	4
8	181101	Cover left	1	54	010351	Screw 5/8x2-1/2 UNF	6	97	181035	Bracket	2
9	012802	Screw M10x25	12	55	010370	Nut 5/8 UNF	6	98	012843	Lock screw for sprocket	1
10	181102	Drive end housing	1	56	181120	Cover Right	1	99	012275	Securing washer M12	1
11	181004	Main shaft	1	57	012270	Nut M12	4	100	181036	Washer	1
12	017035	Drive housing	1	58	026774	Circlip A110	2	101	012205	Screw M10x40	1
13	017036	Oil drain plug 1/4R	2	59	027130	Shims set	2	102	012231	Nut M10	6
14	026411	Seal	2	60	026018	Drum bearing 6022ZZ.	2	103	070334	Flange wheel for winch	6
15	026444	Shaft nut KM11	2	61	181115	Drum	2	104	181040	Cover, open	1
16	017050	Lock washer MB11	2	62	026018	Drum bearing 6022ZZ	2	105	016586	Screw Unbraco M8x20	6
17	017040	Mounting bolt	4	63	027130	Shims set	2	106	024500	Oil seal SM5570-8	1
18	181111	Main nut	8	64	181045	Clutch plate, (Inner)	2	107	181041	Spacer for o-ring	1
19	012248	Bracket	1	65	181055	Clutch plate, (Outer)	2	108	024724	O-ring SOR139	1
20	012270	Screw M12x55	8	66	181025	Boss	2	109	026255	Bearing NJ209	1
21	181005	Nut M12	8	67	181026	Key for boss	2	110	181042	Worm shaft	1
22	181006	Worm wheel	1	68	027095	Shims set	2	111	181043	Key for sprocket	1
23	181007	Worm wheel hub for key	1	69	026756	Circlip A75	2	112	026120	Roller bearing 7310 BG	2
24	026335	Main bearing E30217J	1	70	181027	Intermediate plate for clutch	2	113	026440	Lock washer MB10	1
25	027150	Circlip set 120x150	2	71	181029	Clutch pressure plate	2	114	026410	Shaft nut KM10	1
26	024360	Oil seal DPSM 8511012	2	72	181030	Spring	6	115	027110	Shims set	1
27	181108	Brake cylinder, compl.	2	73	016819	Screw Unbraco 5/16x1/2W	6	116	181044	Cover (Low)	1
28	017229	Niple 1/4	2	74	016830	Adjusting nut, low 5/16W	6	117	012803	Screw M10x30	6
29	181009	Cylinder body	2	75	181031	Spring	6	118	017035	Oil drain plug	2
30	181010	Piston 38mm	2	76	010216	Securing washer 3/8	6	119	017036	Seal	2
31	024726	O-ring R-3150	4	77	010182	Screw 3/8x5/8 UNF	6	120	155633	Plate	2
32	012335	Screw M16x100	2	78	026368	Thrust bearing 81113	2	121	015296	Screw 5/8x3/4 Unbraco	2
33	012350	Nut M16	2	79	181032	Ring cylinder	2				
34	047200	Niple 1/4x1/4	2	80	024740	O-ring R3256 P5	2				
35	012270	Nut M12	4	81	181033	Pressure ring	2				
36	181112	Ear for spring Right	2	82A	155636	Pressure ring c/w o-ring	2				
37	181113	Ear for spring Left	1	82B	024744	O-ring	2				
38	027230	Spring for brake	4	82C	024742	O-ring	2				
39	141117	Screw	4	82D	024922	Support ring	2				
40	066870	Nut	2	82E	024916	Support ring	2				
41	027210	Spring	2	83	181034	Cylinder body	2				
42	021322	Pin bolt 1/2	2	84	017280	Bleed screw 1/8R	2				
43	021045	Split pin 4x20	2	85	017262	Niple 1/4x1/8R	2				
44	181013	Brake band c/w linings	4	86	026118	Bearing 7211B	2				
45	181114	Cover	2	87	155631	Packing ring	2				
46	010375	Washer	4	88	017080	Screw	6				
				89	012246	Screw M12x45	4				

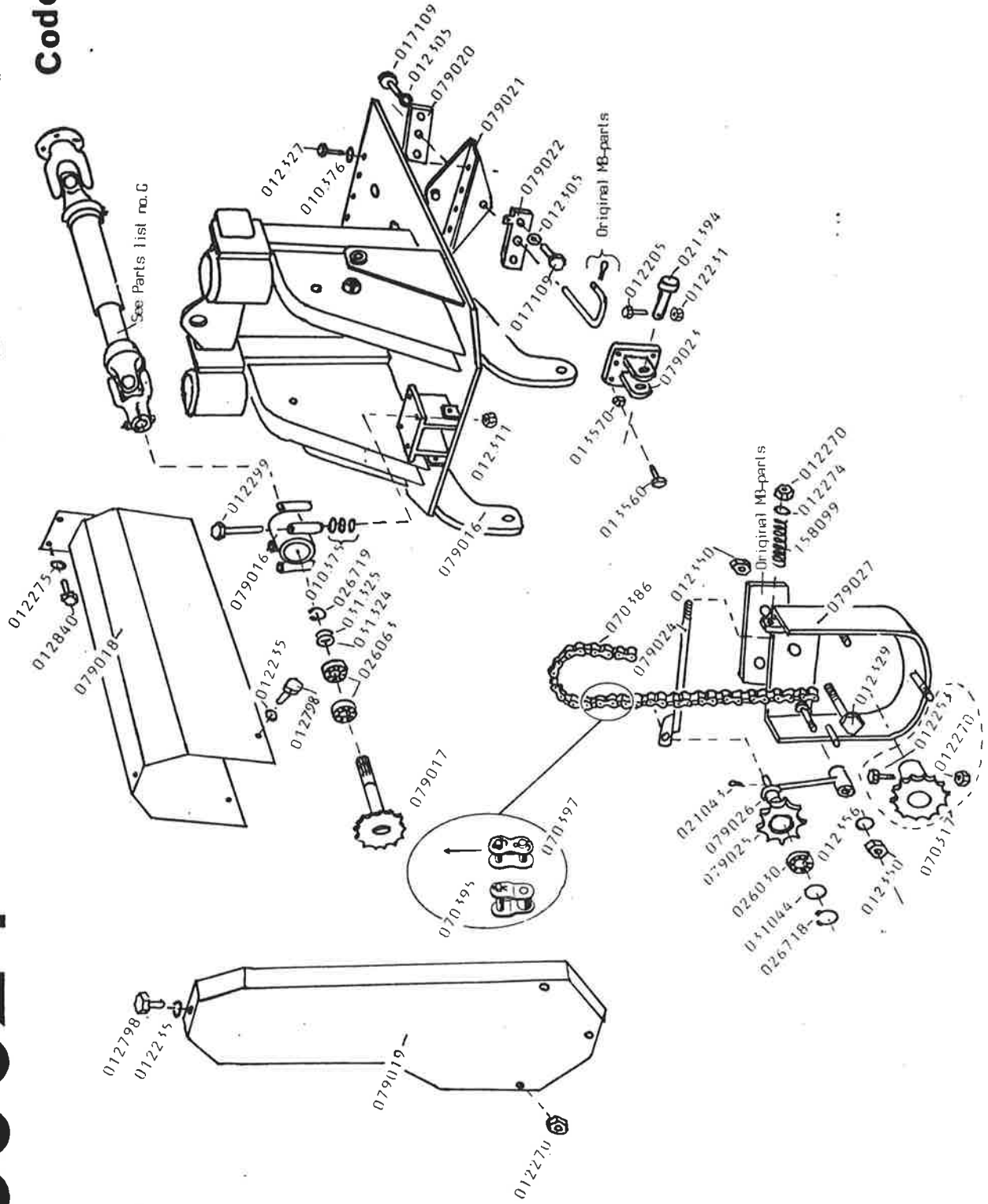
250286-K1



# 8002 F

# PARTS LIST B

Code i811-0



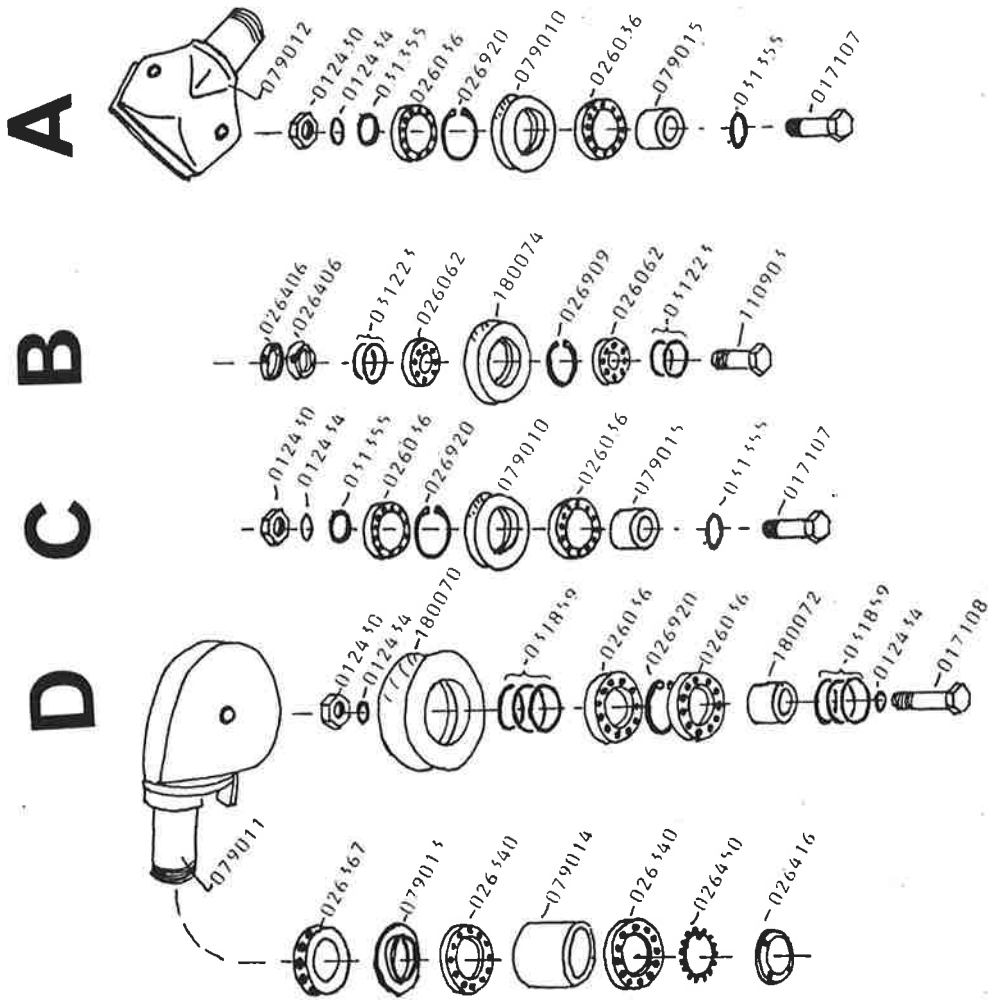
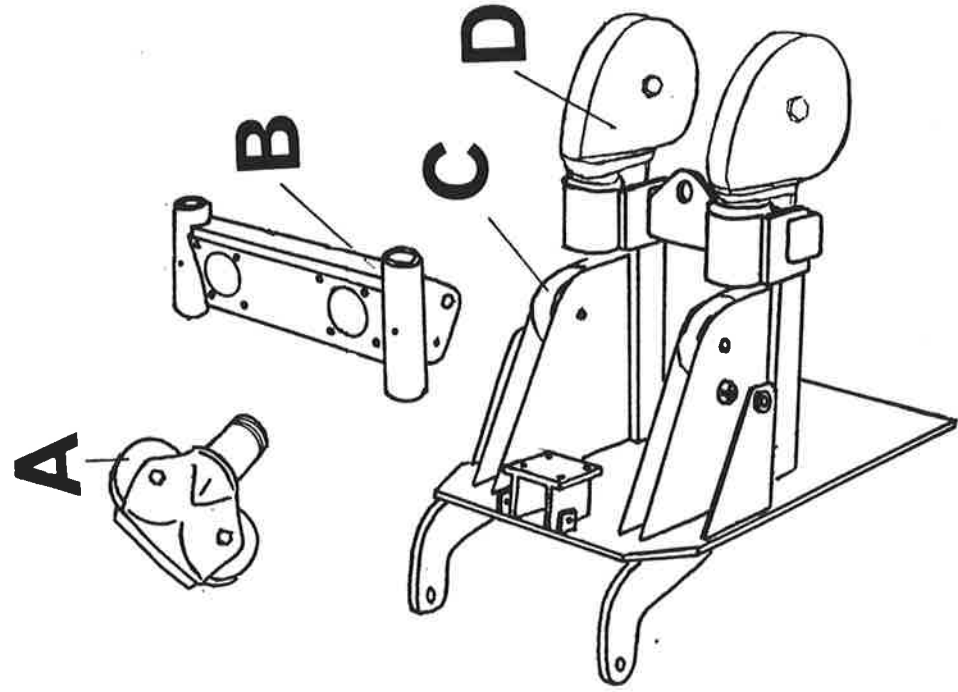




# 8002 F

# PARTS LIST D

Code 1811-0

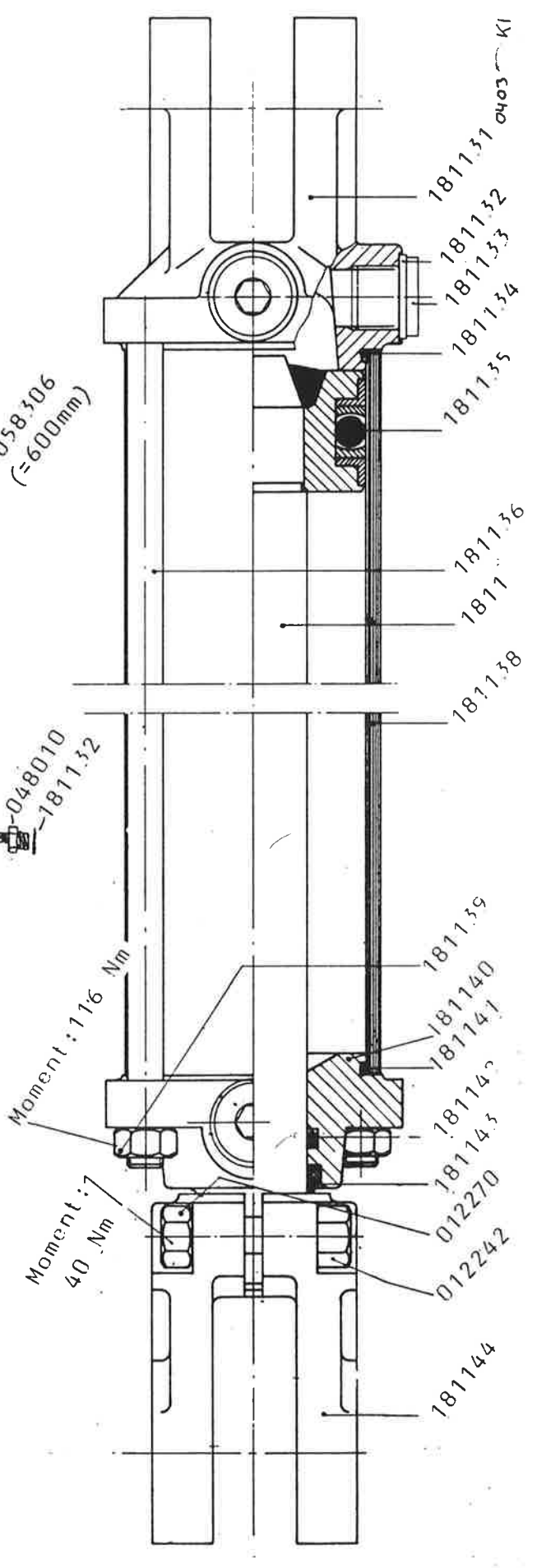
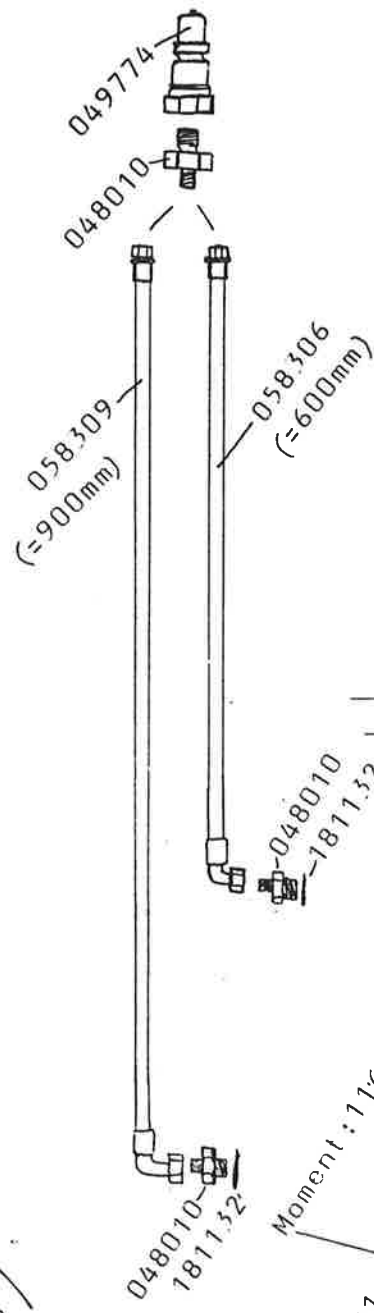
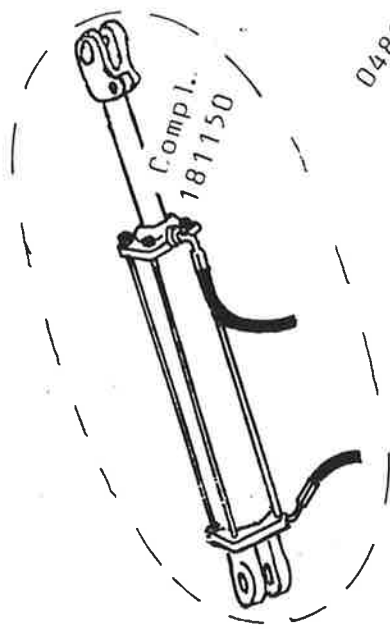






# 8002 F PARTS LIST F

Code 1811-0



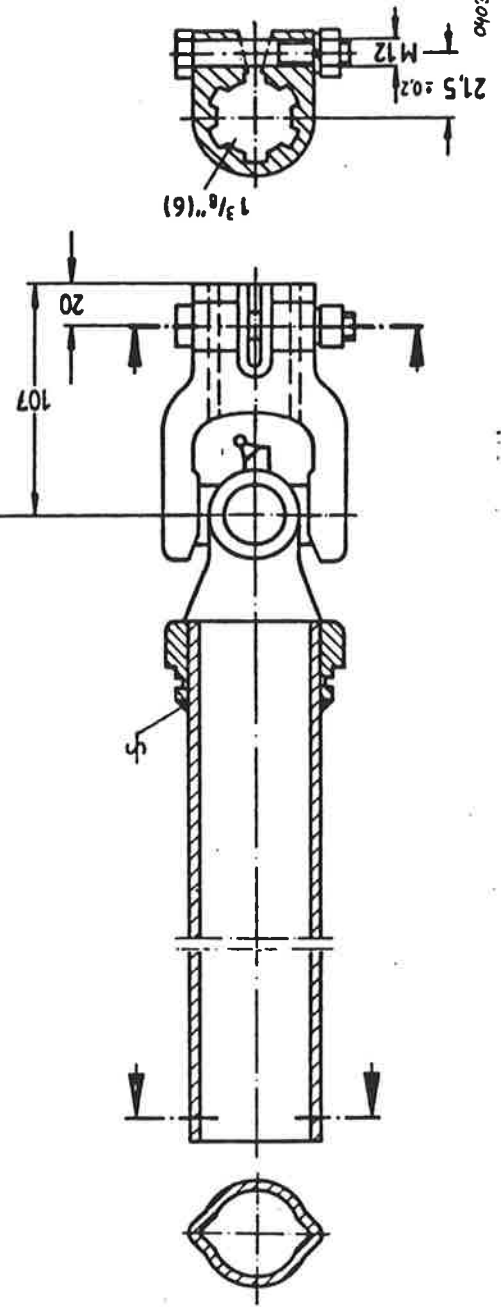
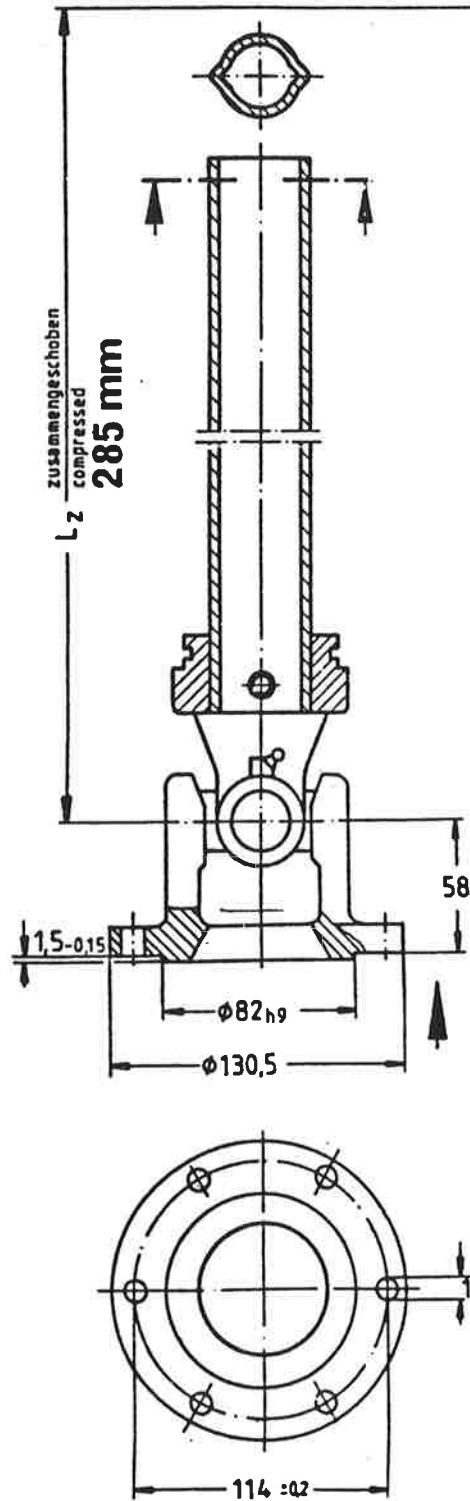


8002 F

PARTS LIST G

Code 1811-0

Complete no: 070499



11-98306-K1





# 8002 F PARTS LIST H

Code 1811-0

