

IGLAND 4002 Eco Parts Catalogue



IGLAND

Winch Head (for Fixed Mounting)

Serial No.: 0001 →

GENERAL INFO:

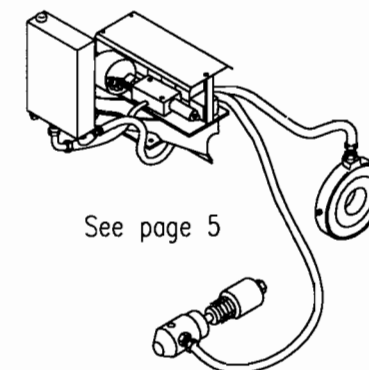
This Parts Catalogue consists of 12 numbered pages.

This Catalogue: P/N 390325

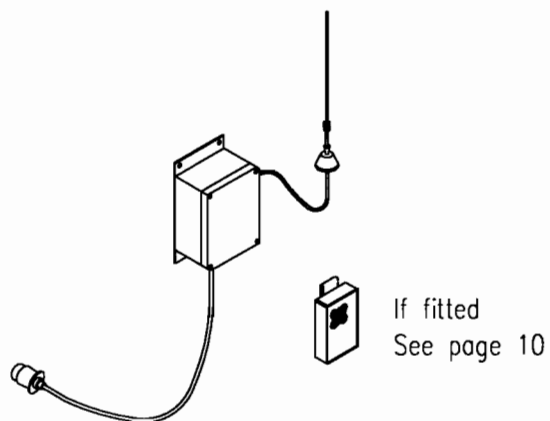
N/A: Not available

© IGLAND AS

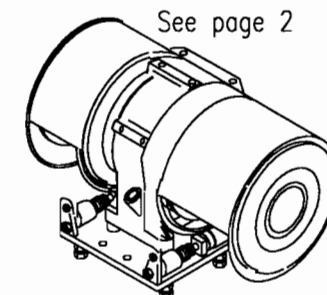
- Gjengivelse av tekst og tegninger uten tillatelse forbudt.
- Reproduction of text or illustrations without permission is prohibited.
- Eine Wiedergabe von Texten und Zeichnungen ohne unsere Genehmigung ist nicht gestattet.
- Interdiction de toute reproduction de textes ou d'illustrations sans autorisation préalable.



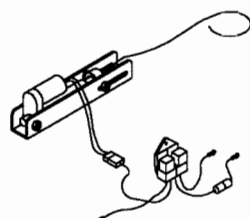
See page 5



If fitted
See page 10



See page 2

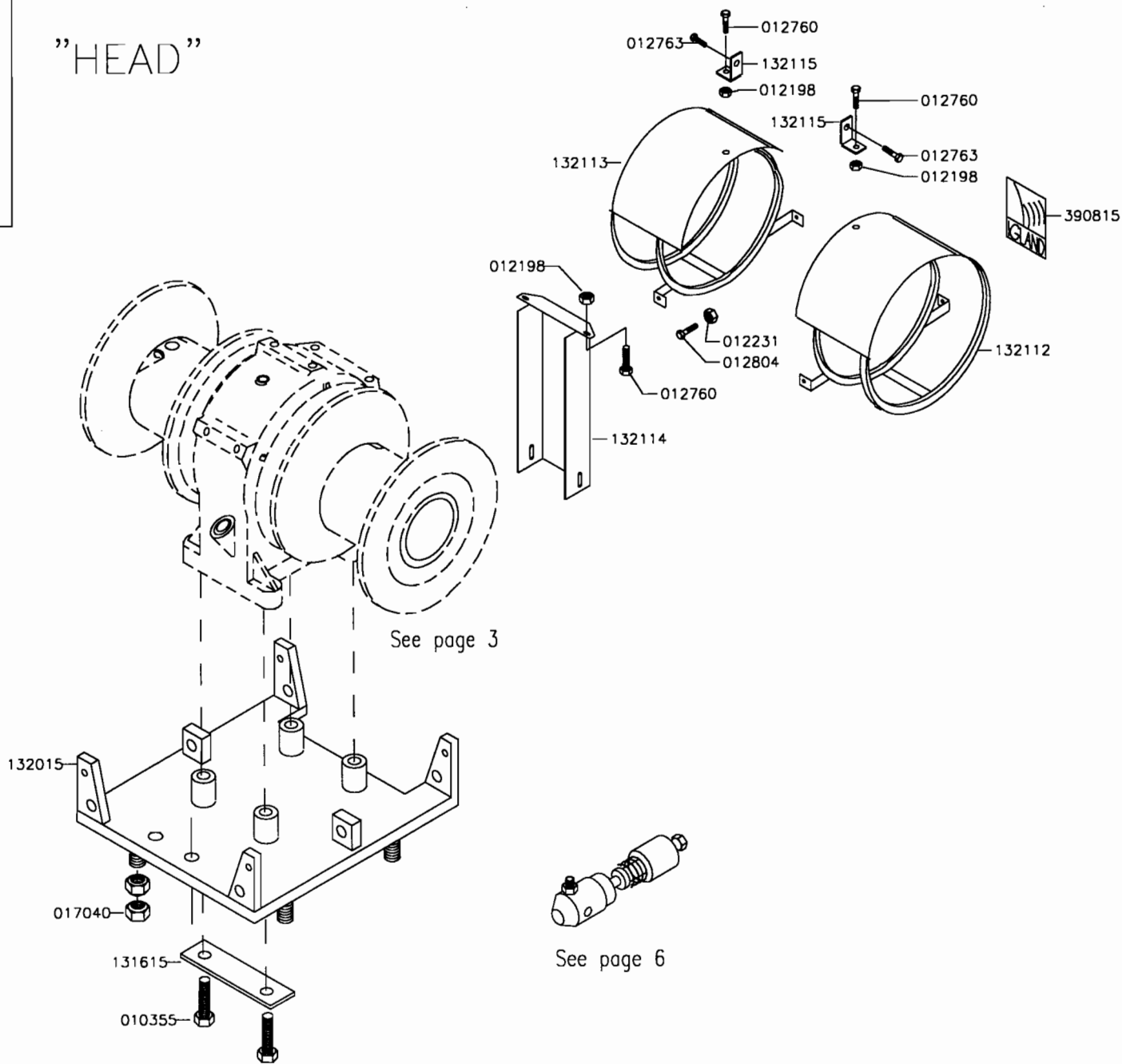
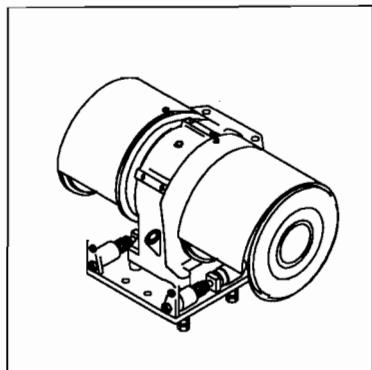


If fitted
See page 11

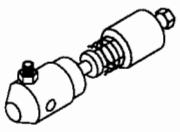
Approved: <i>K.T.</i>	Revised: T.K. 05.11.01
	Issued: AIS 01.07.97

IGLAND 4002 Eco

”HEAD”



See page 3



See page 6

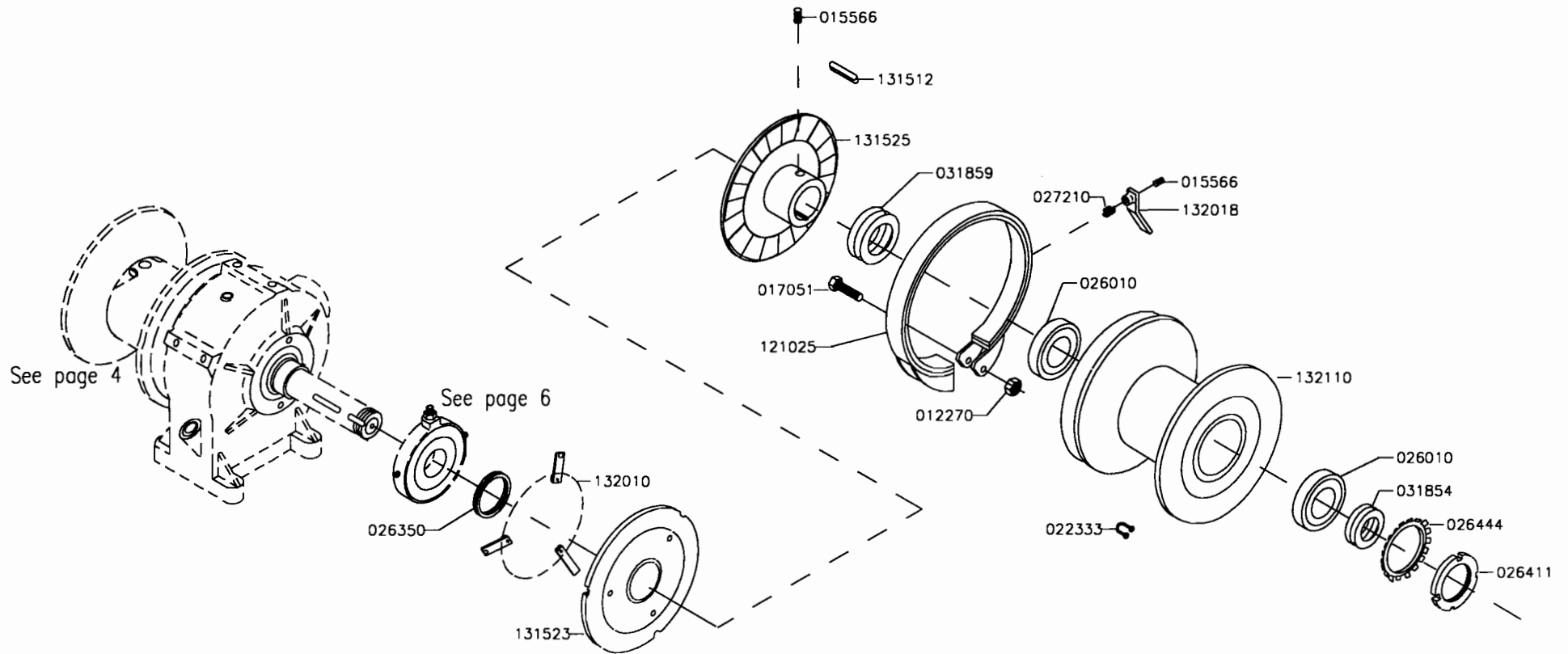
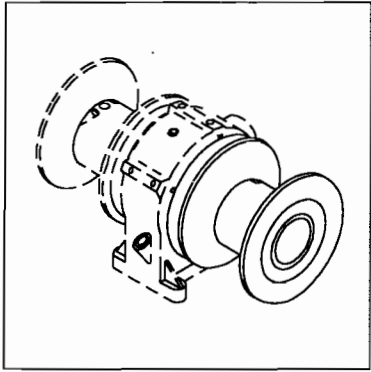
Tools
Option

- 022001
4 mm
- 022062
6 mm

Two L-shaped hex keys are shown, one labeled 4 mm and the other 6 mm.

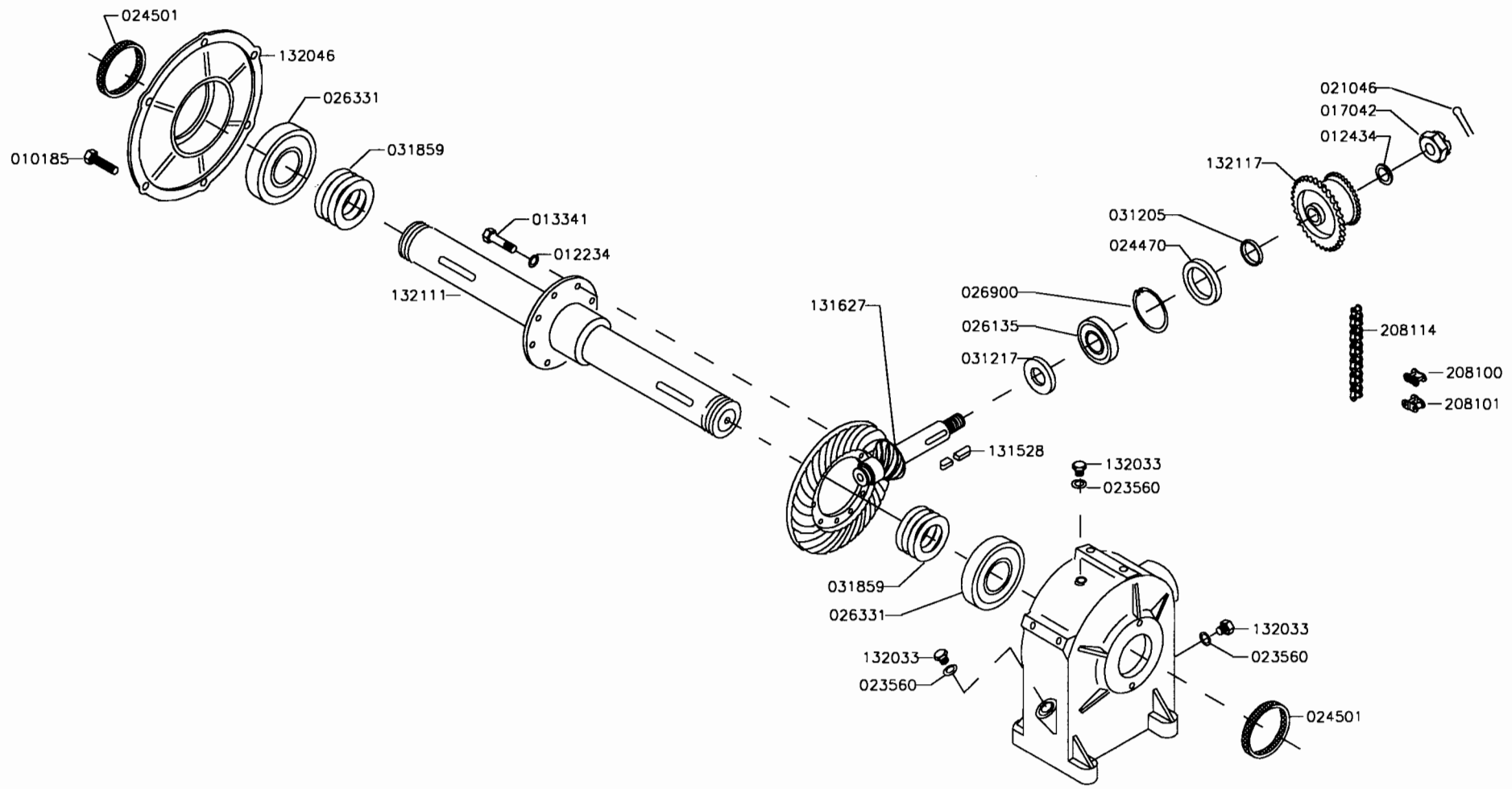
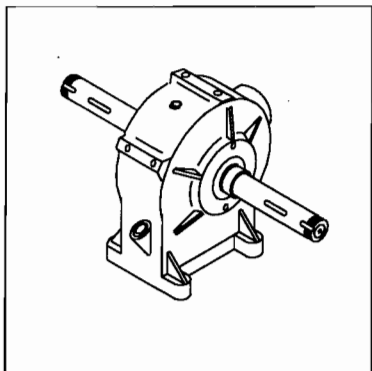
IGLAND 4002 Eco

"HEAD"



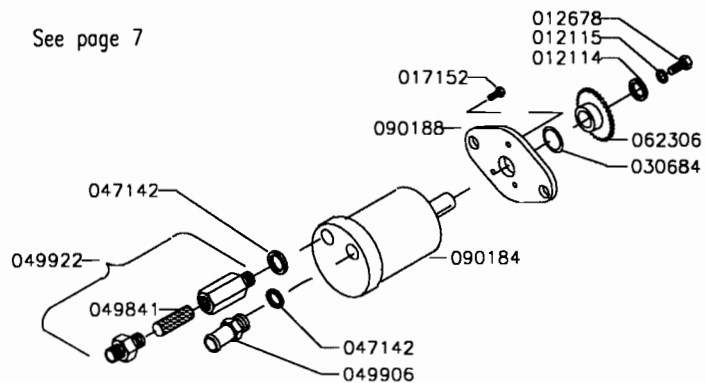
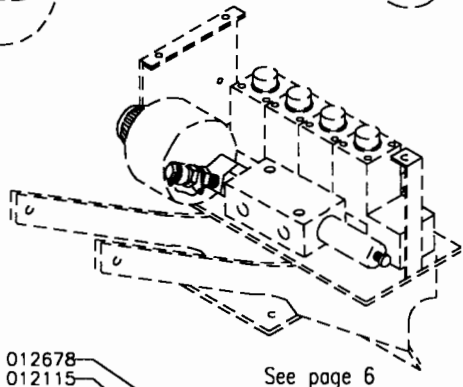
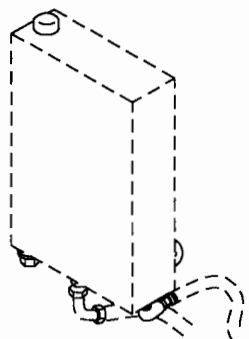
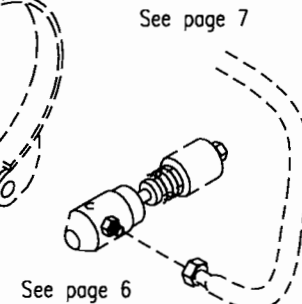
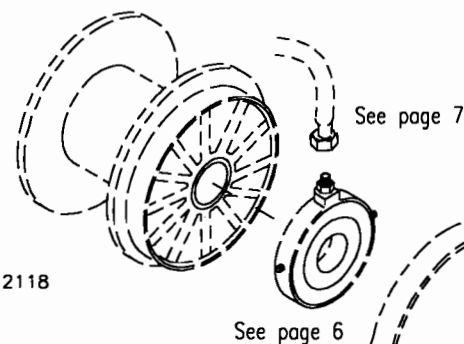
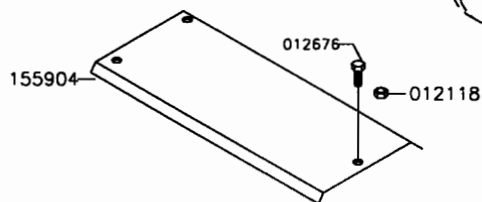
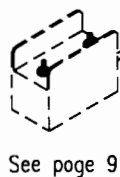
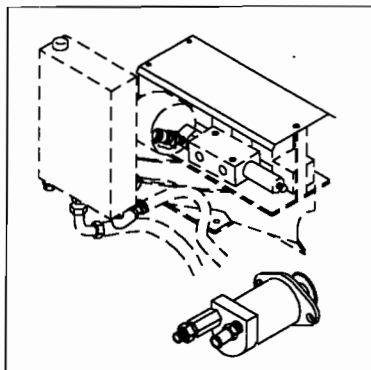
IGLAND 4002 Eco

”HEAD”



IGLAND 4002 Eco

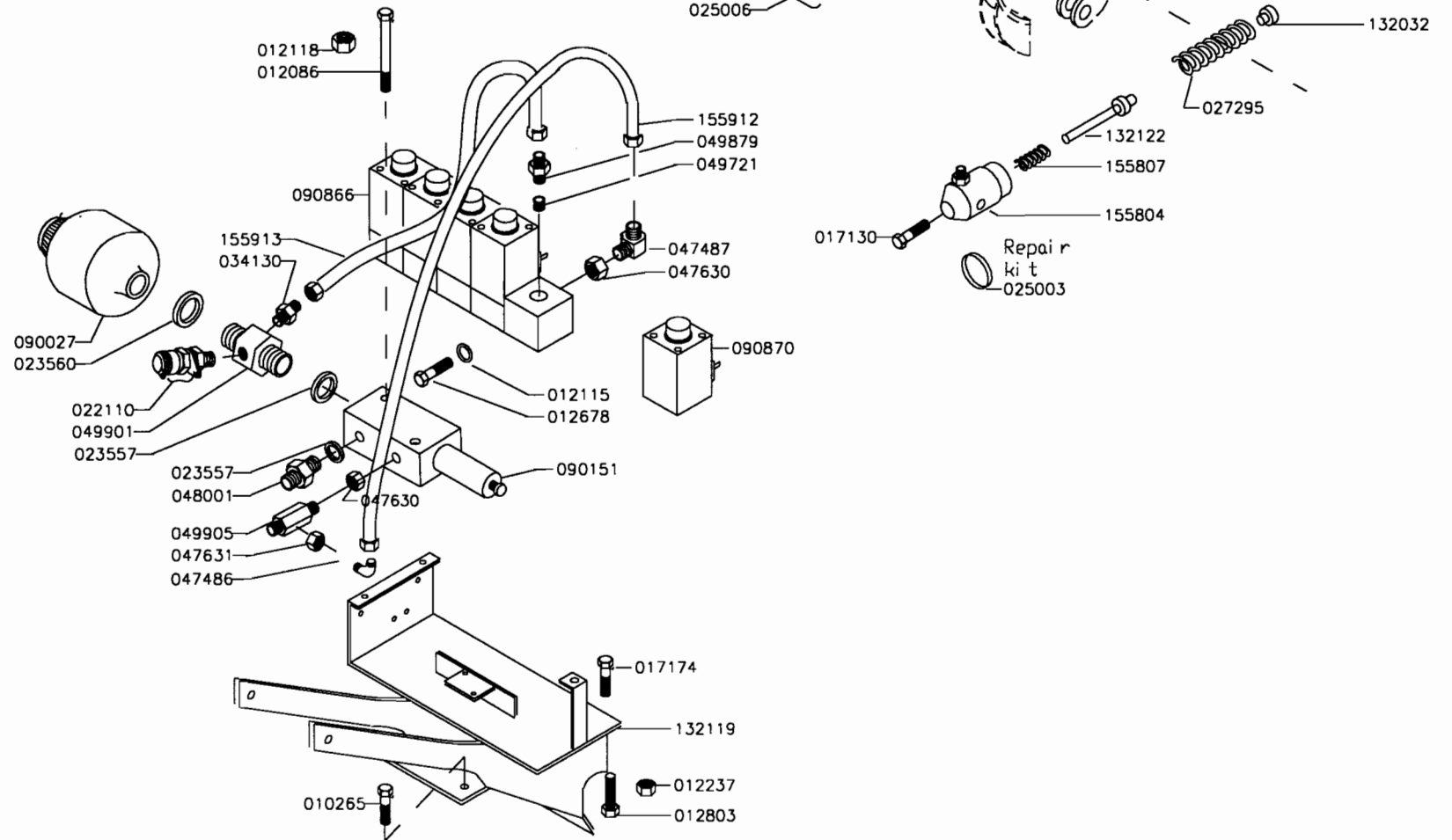
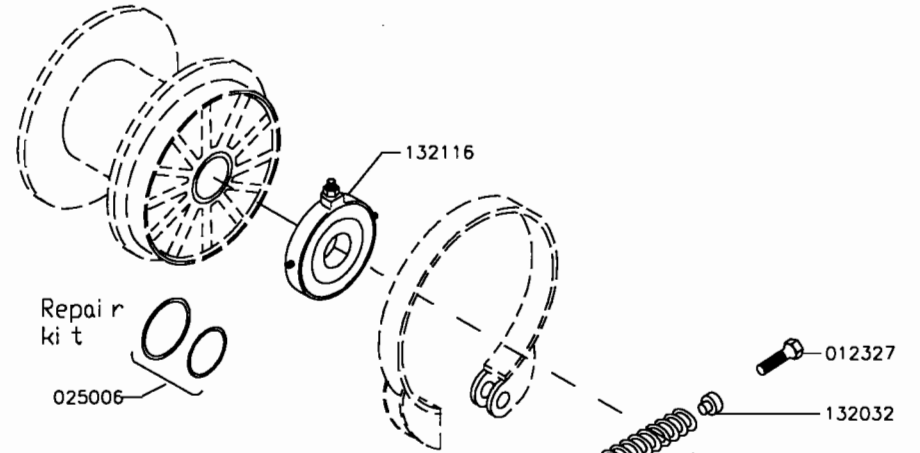
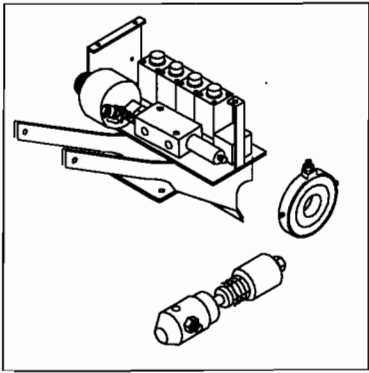
ELECTROHYDRAULIC HIGH PRESSURE CONTROL HP



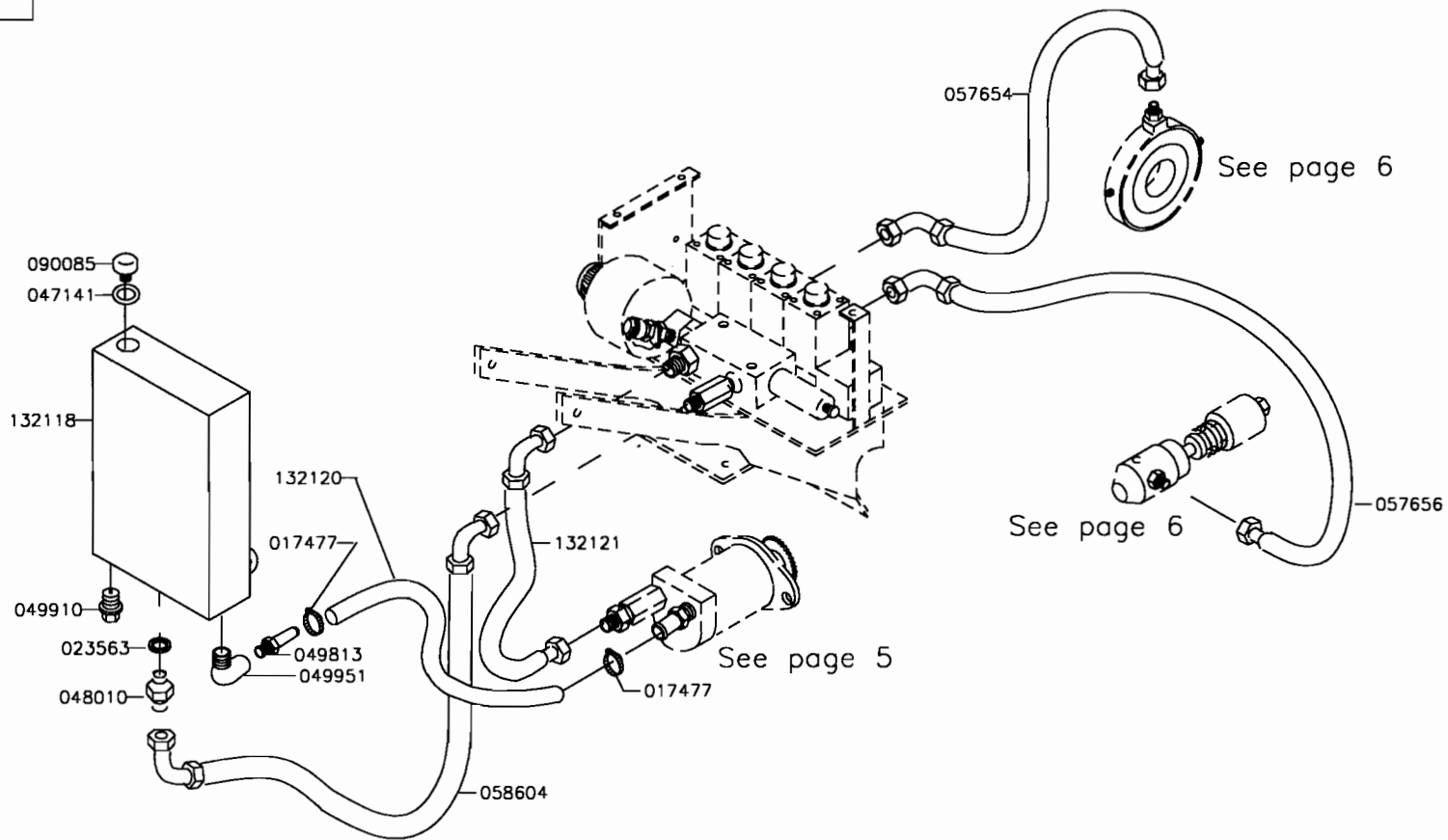
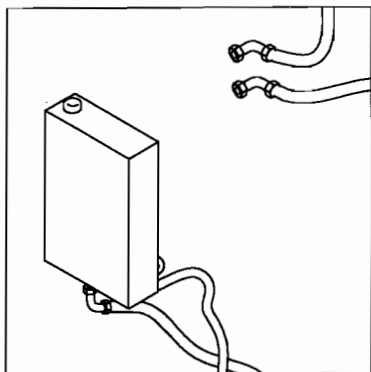
IGLAND 4002 Eco

ELECTROHYDRAULIC HIGH PRESSURE CONTROL HP

Hydraulic components



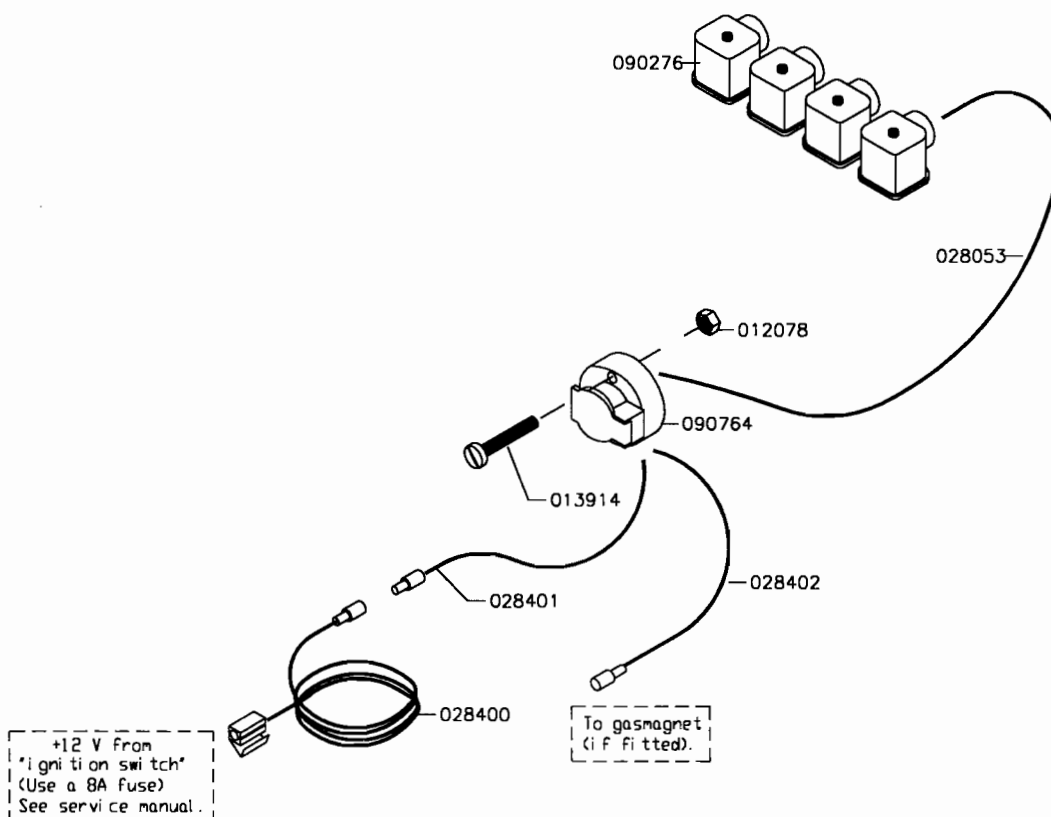
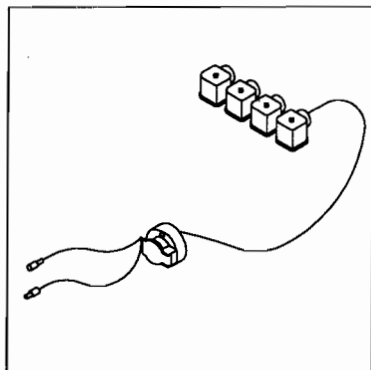
IGLAND 4002 Eco



IGLAND 4002 Eco

ELECTROHYDRAULIC CONTROL

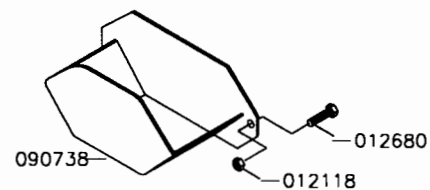
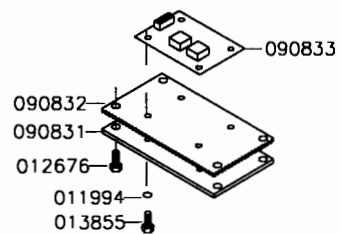
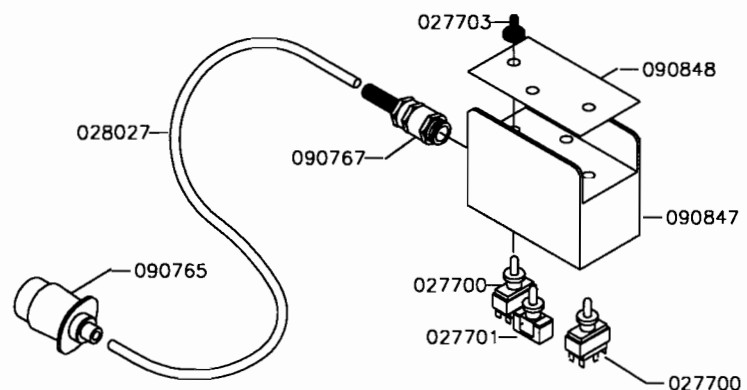
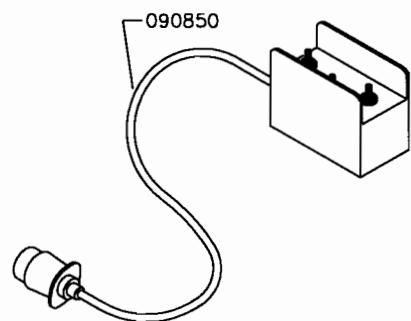
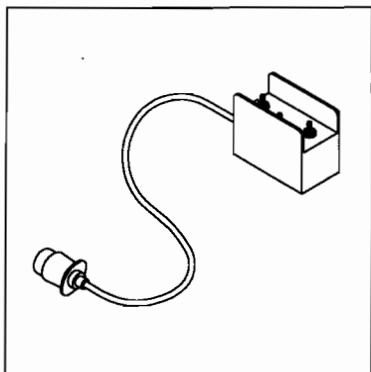
Electrical components



IGLAND 4002 Eco

ELECTROHYDRAULIC CONTROL

Electrical components

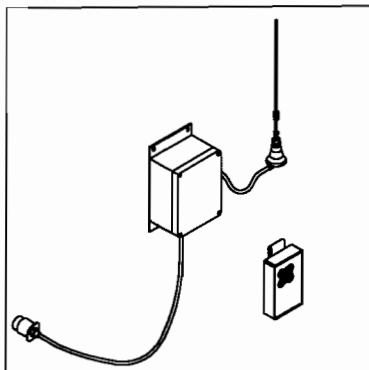


IGLAND 4002 Eco

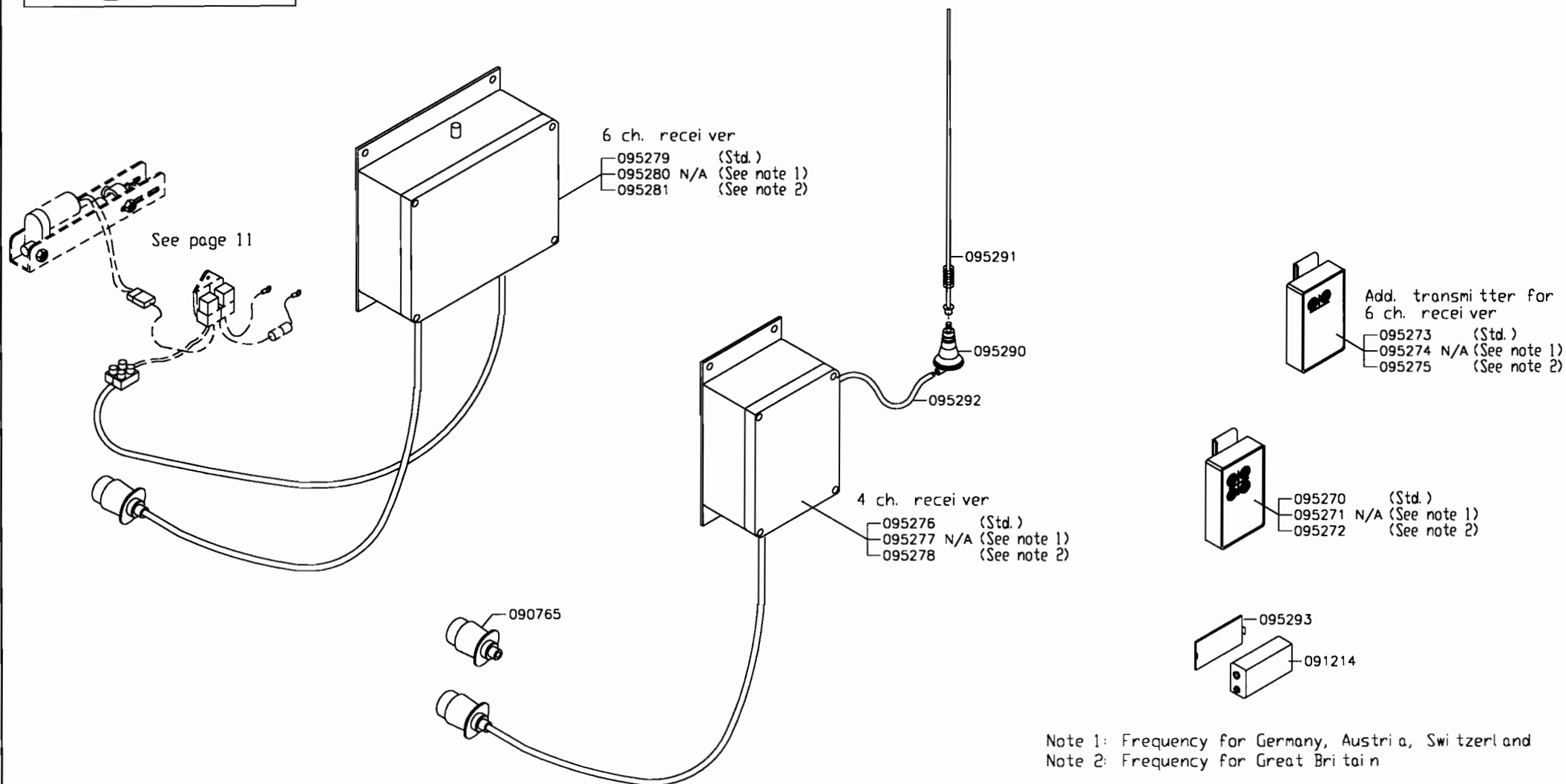
TELERADIO

RADIO REMOTE CONTROL KIT, T-100, 4 ch.: 091160

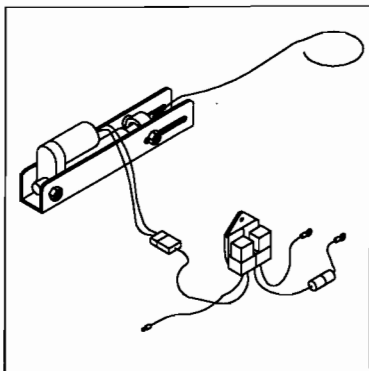
Add. price for extra 2 ch. transmitter/6 ch. receiver (only for 091160) - 091161 N/A
 Add. price for frequency for Germany, Austria, Switzerland - 091162 N/A
 Add. price for frequency for Great Britain - 091163



If fitted.



Note 1: Frequency for Germany, Austria, Switzerland
 Note 2: Frequency for Great Britain



IGLAND 4002 Eco

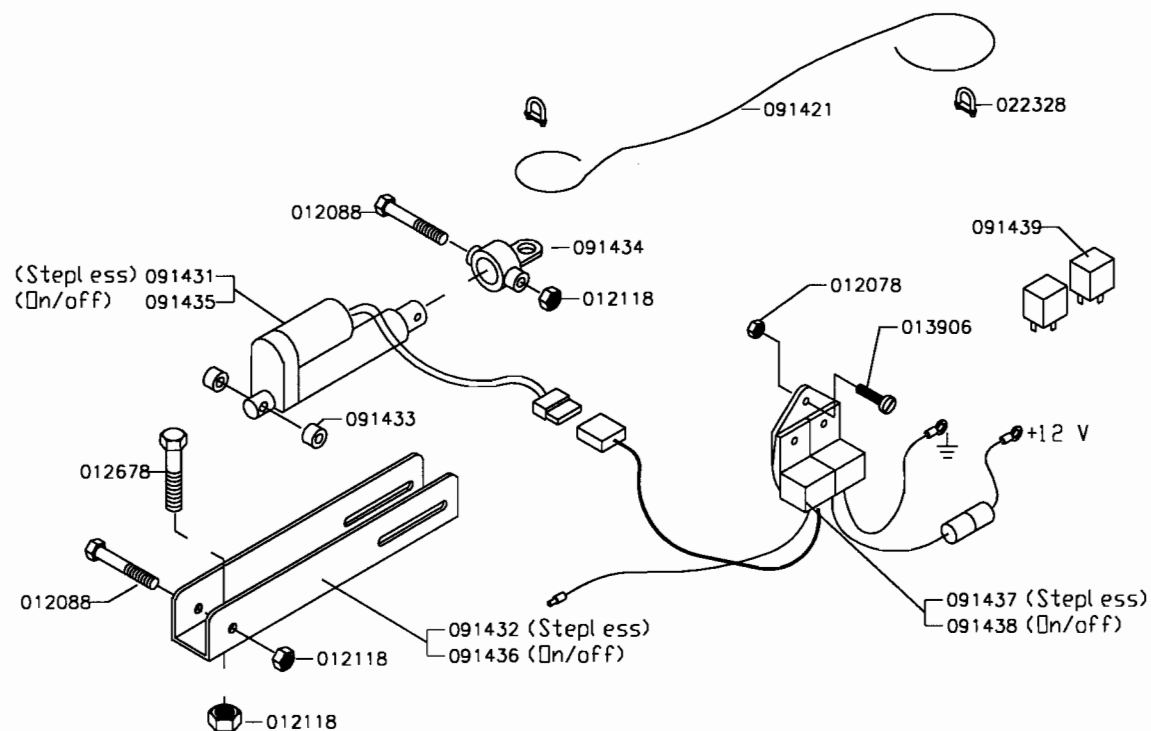
RPM ACTUATOR, compl.: 091440

On/off function

RPM ACTUATOR, compl.: 091441

Stepless function.

If fitted.



Intentionally blank