

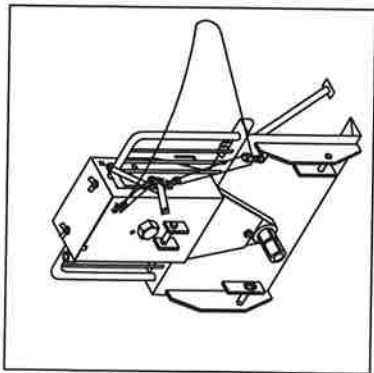


IGLAND 3201

Parts Catalogue

IGLAND 3201, Parts Catalogue

Serial No.: 3201201 ⇨



GENERAL INFO:

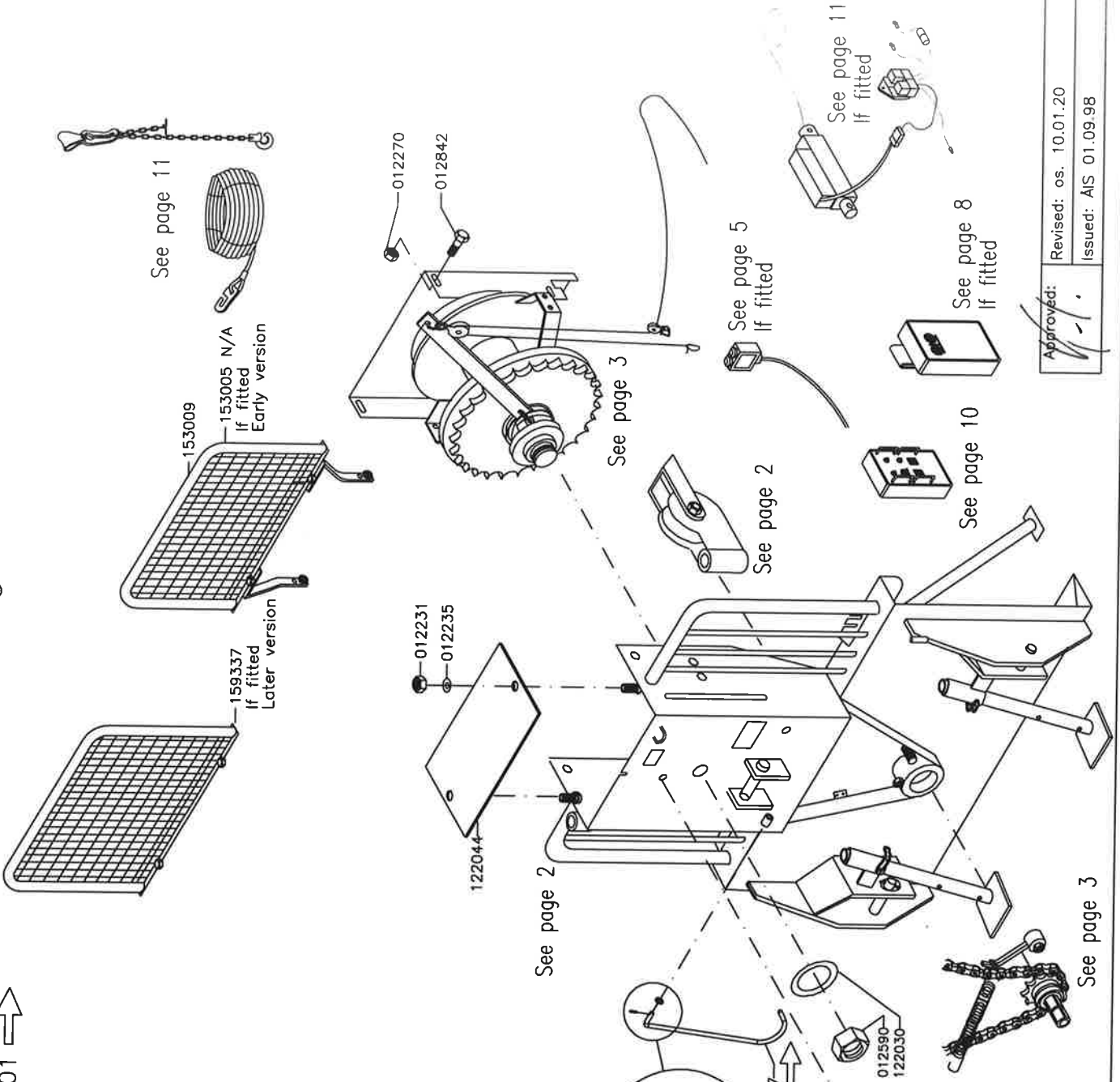
This Parts Catalogue consists of 12 numbered pages.

This Catalogue: P/N 390012

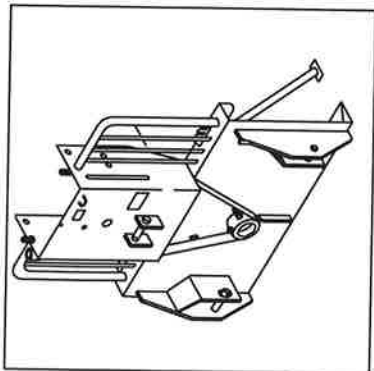
N/A: Not Available

© IGLAND AS

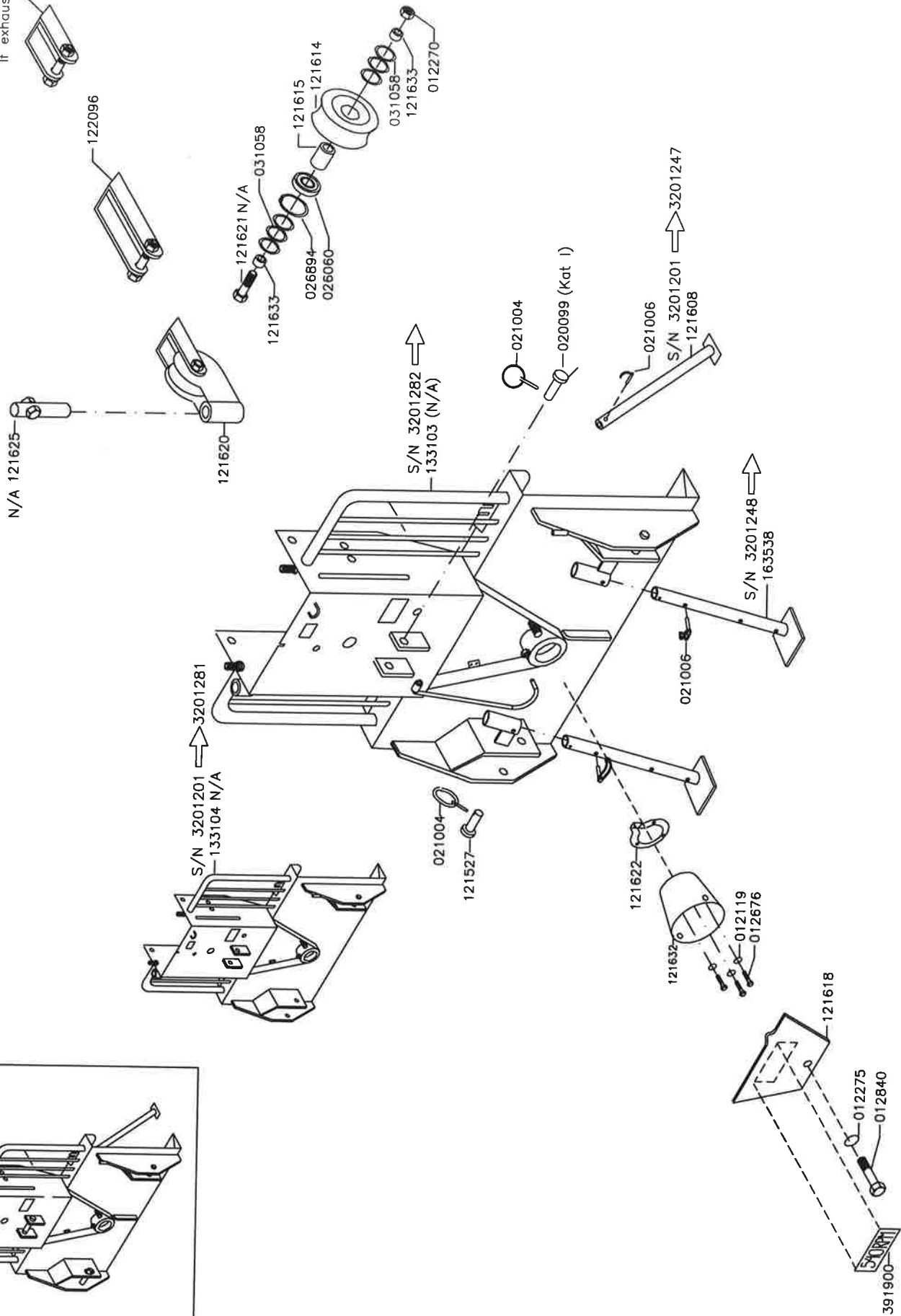
- Gjengivelse av tekst og tegninger uten tillatelse forbudt.
- Reproduction of text or illustrations without permission is prohibited.
- Eine Wiedergabe von Texten und Zeichnungen ohne unsere Genehmigung ist nicht gestattet.
- Interdiction de toute reproduction de textes ou d'illustrations sans autorisation préalable.



IGLAND 3201

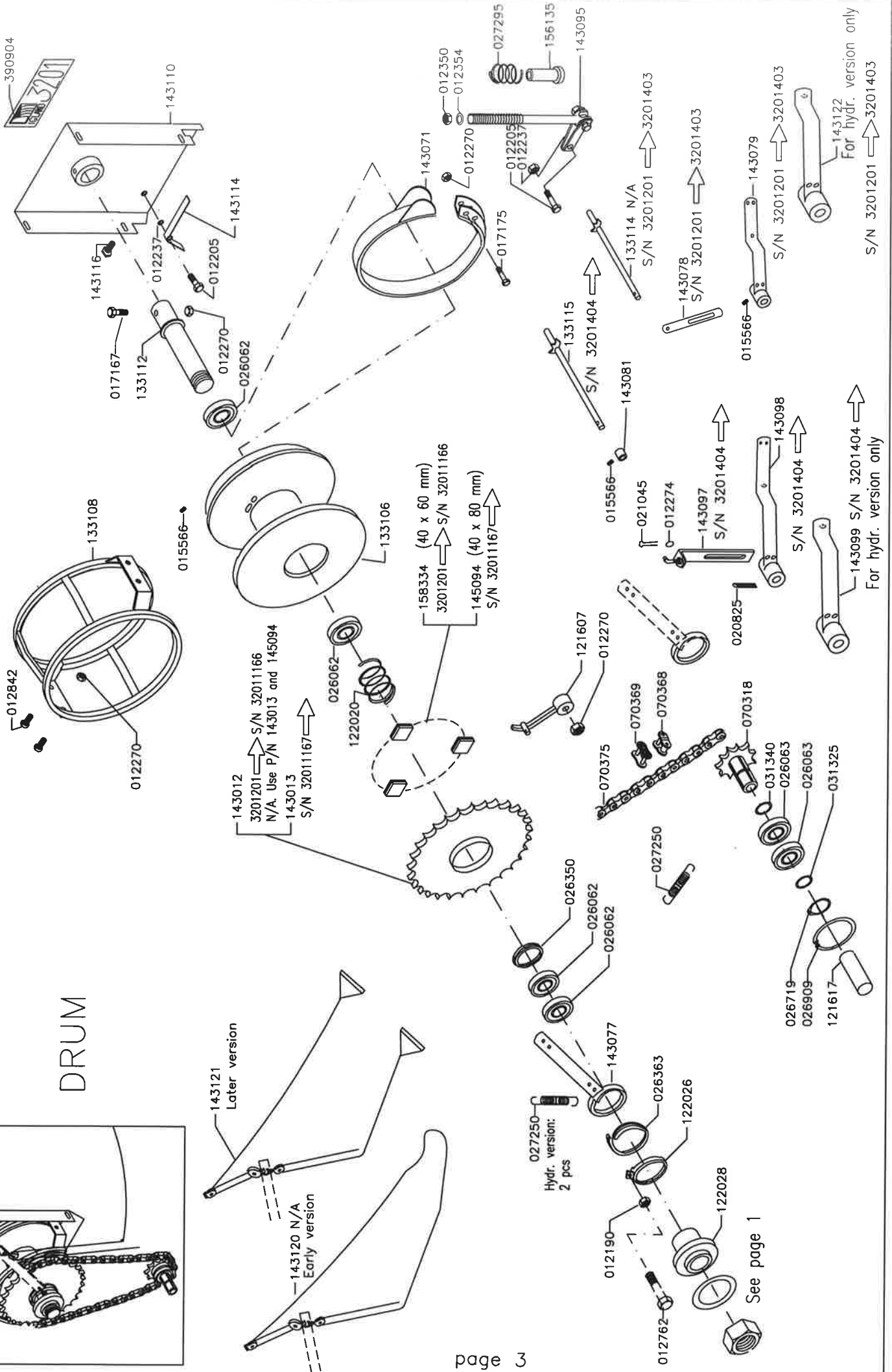
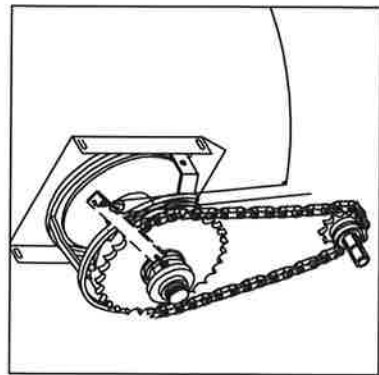


If exhausted, use P/N 122096
N/A 122076
Early version

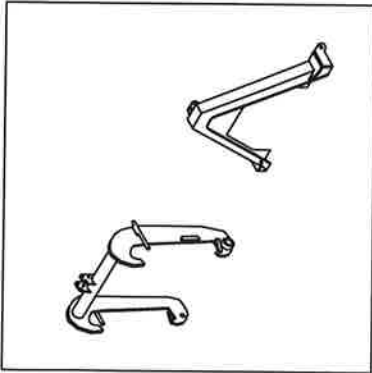


IGLAND 3201

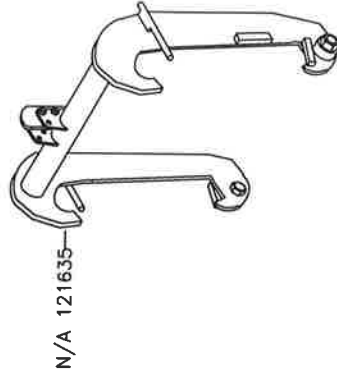
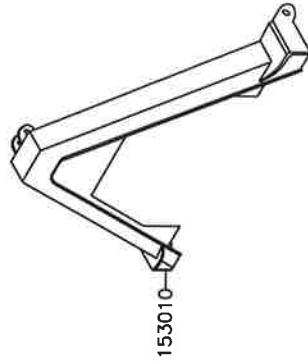
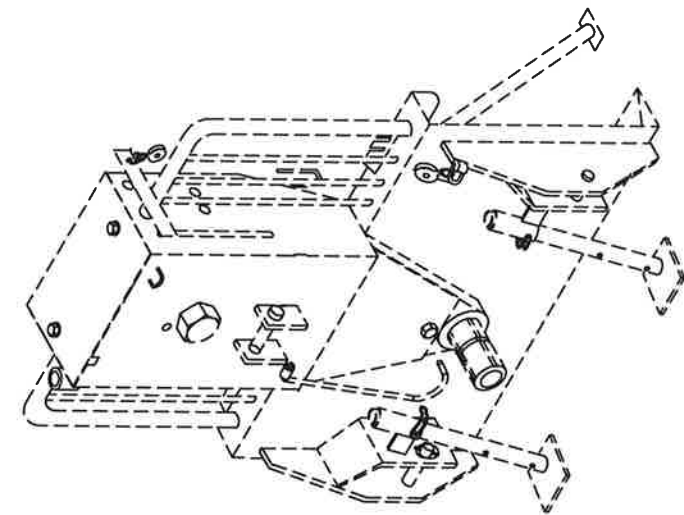
DRUM



IGLAND 3201

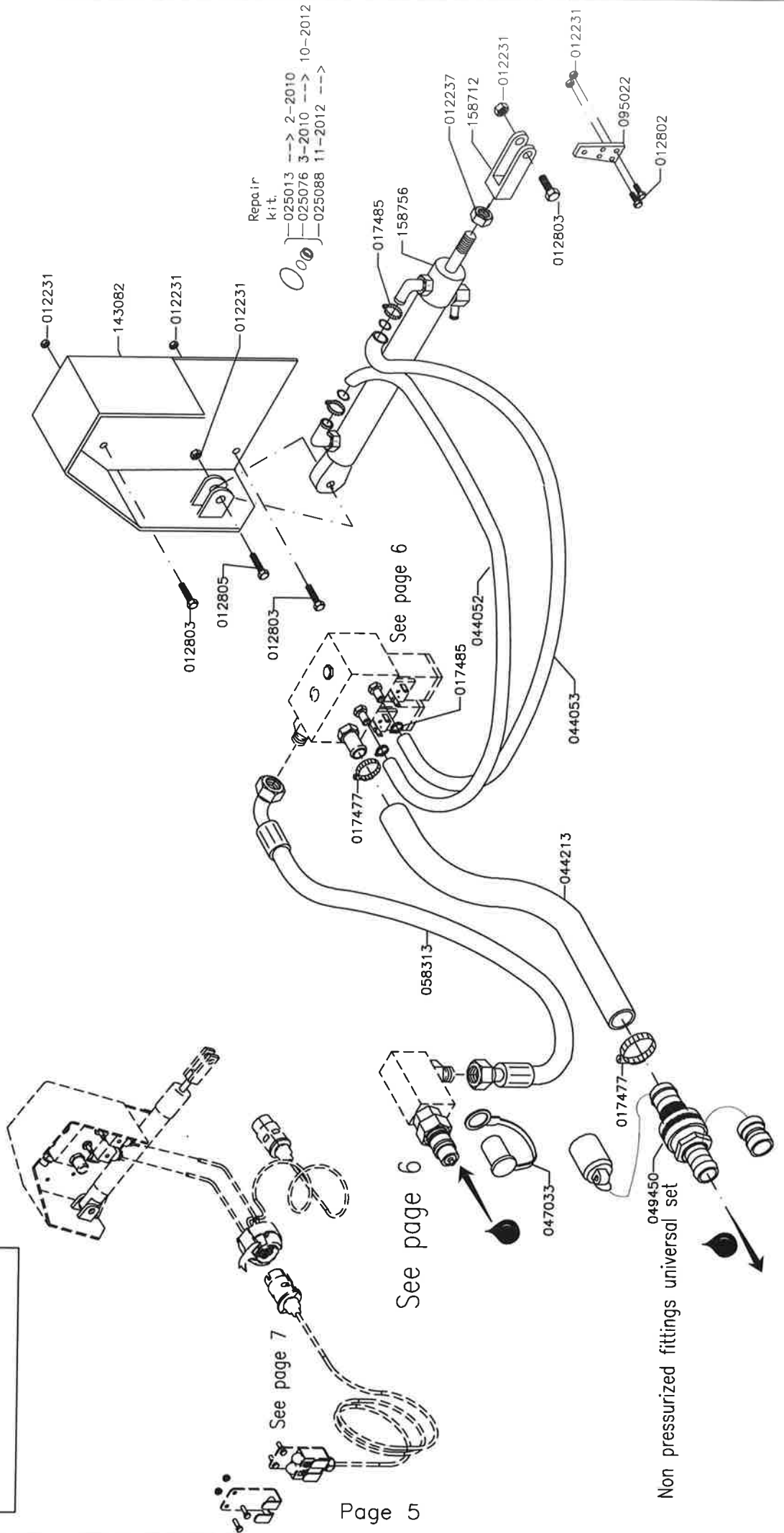
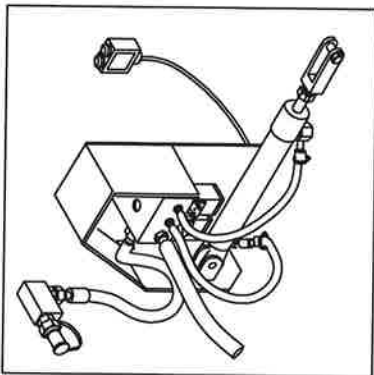


TRIANGEL SNAP LINK: 153010 If fitted
"HMV" SNAP LINK: 121635 N/A If fitted



IGLAND 3201

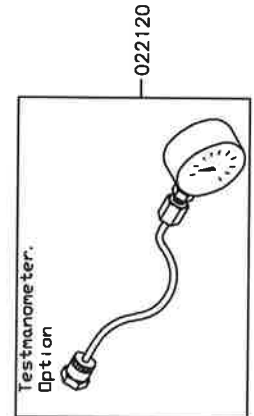
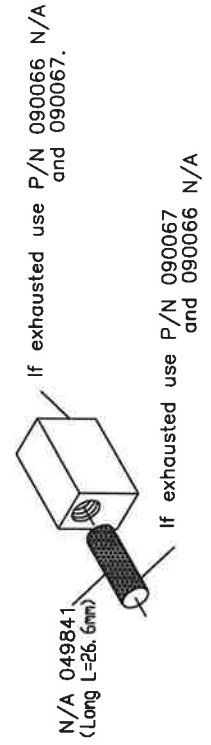
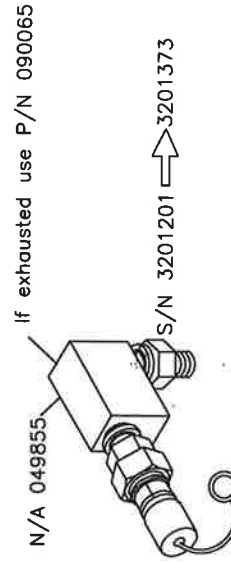
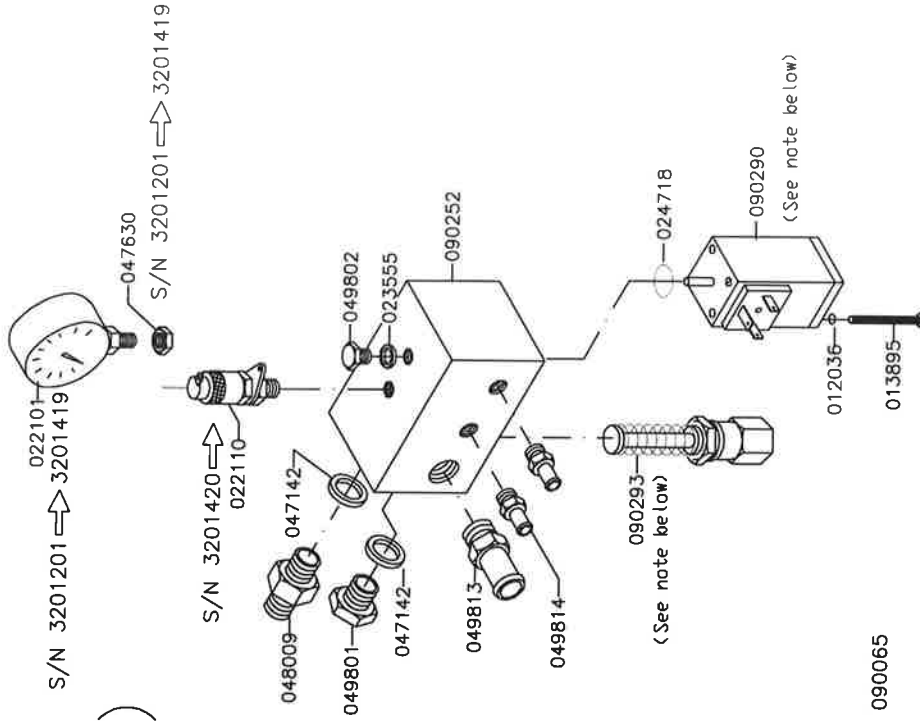
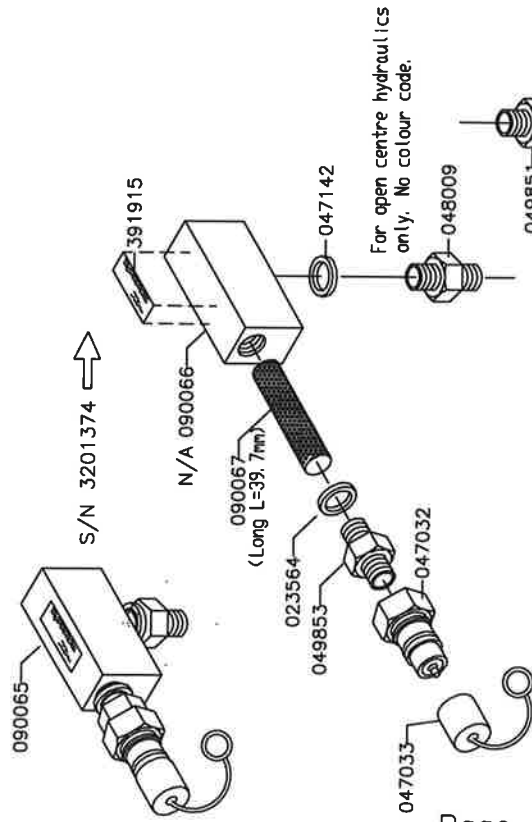
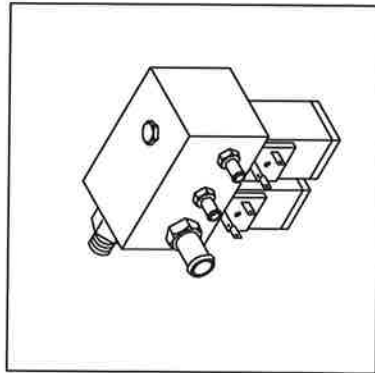
ELECTROHYDRAULIC LOW PRESSURE CONTROL "LH", P/N 095003



IGLAND 3201

ELECTROHYDRAULIC LOW PRESSURE CONTROL ("LH")

(Hydraulic components)

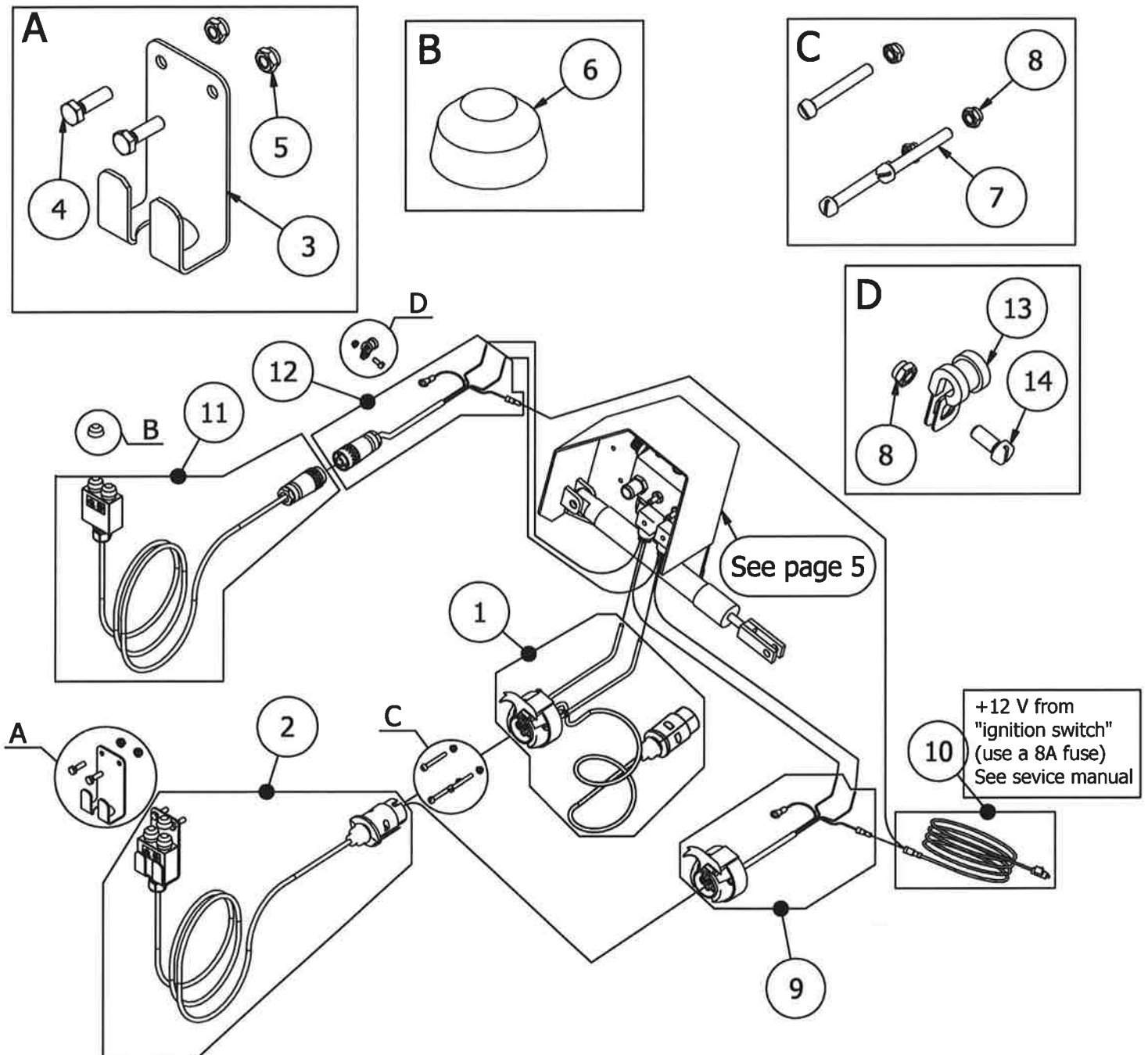


NOTE: Requires special skill on re-installation. If available, see Service Manual.

IGLAND 3201 Tilleggsutstyr Elektrohydr. kontroll

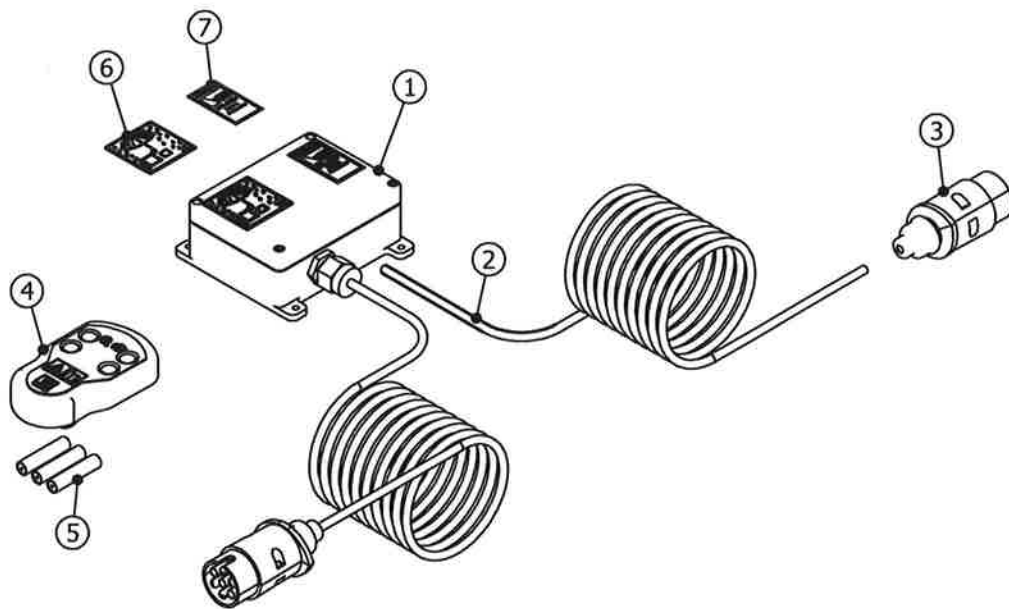
RESERVEDELSLISTE - SPARE PARTS LIST - ERSATZTEILLISTE

Pos	Art.No.	No	Beskrivelse	Description	Bezeichnung
1	143084	1	Kabel kompl. m/kontakt og støpsel fra 2016	Cable, cpl. w/contact	
2	090854	1	Betjeningspanel, kpl.	Vontrol box, cpl.	
3	090844	1	Holder for betjeningspanel	Holder	
4	012680	2	Bolt	Hex-Head Bolt	
5	012118	2	Mutter	Hex Nut	
6	027718	1	Hette gummi	Rubber cap	
7	013916	3	Bolt	Slotted Cheese Head Screw	
8	012078	4	Mutter	Hex Nut	
9	090855	1	Kontakt m/ kabel N/A, Bruk 143084	Contact	
10	028400	1	Kabel strømtilførsel, kpl N/A	Cable	
11	090845	1	Betjeningspanel, kpl	Control box	
12	090846	1	Kontakt stikk m/ kabel	Contact	
13	027555	1	Strømkabelholder	Cable clip	
14	013906	1	Bolt	Slotted Cheese Head Screw	



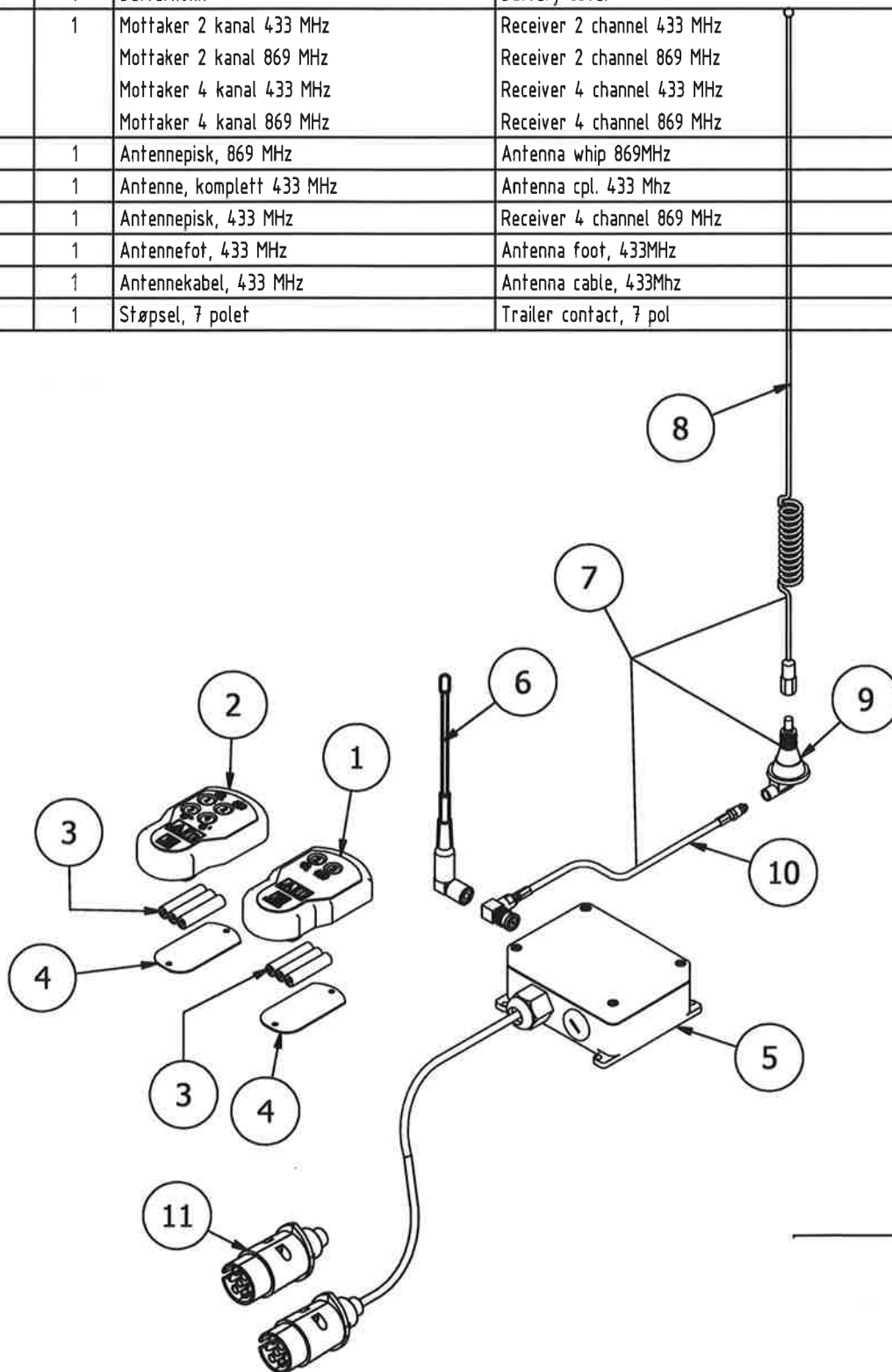
IGLAND 3201 Tilleggsutstyr radiostyring 2,4GHz

RESERVEDELSLISTE – SPARE PARTS LIST				
Pos.	Qty	Item No./ Varenummer	Beskrivelse	Description
-	1	091174	Radio kontrollsett, kpl. Pos 1-7	Radio controlset. cpl. Pos 1-7
1	1	095652	Mottaker 2,4 GHz kpl. m/kabel og kontakter	Receiver 2,4 GHz
2	1	028265	Kabel 4 leder	Cable
3	1	090765	Tilhengerkontakt, 7 pol	Trailer contact, 7 pol
4	1	095622	Radiosender 2,4 GHz	Radio transmitter 2,4 GHz
5	3	095370	Batteri 1,5V AAA	Batteri 1.5V AAA
6	1	391426	Klebmerke	Stickers
7	1	391427	Klebmerke	Stickers



IGLAND 3201 Tilleggsutstyr radiostyring 433 / 869 MHz

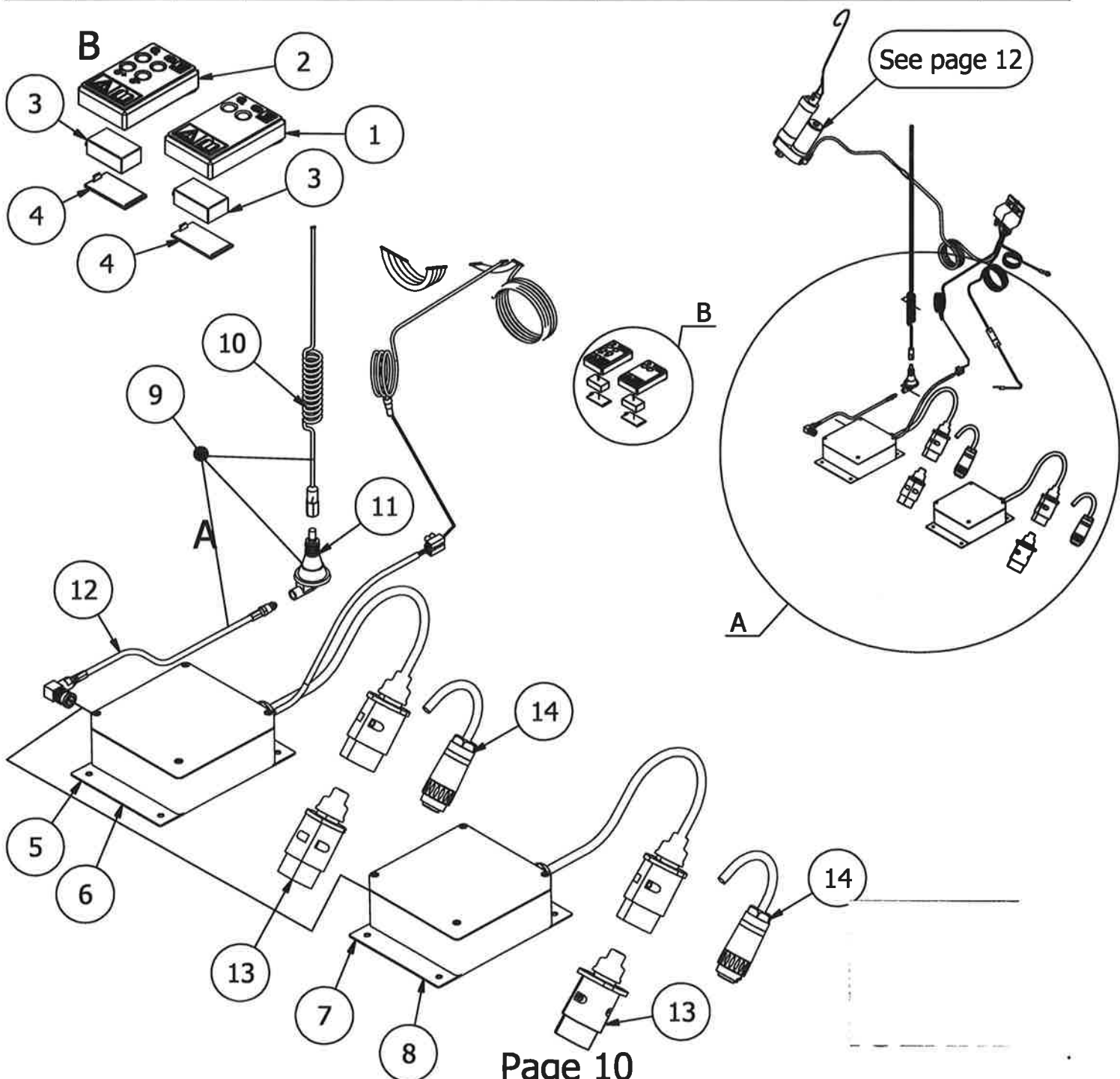
RESERVEDELSLISTE - SPARE PARTS LIST - ERSATZTEILLISTE					
Pos	Art.No.	No	Beskrivelse	Description	Bezeichnung
-	095225 091174 091171	1	Radiobetjening 2 funksjoner, kpl. inkl. hydr. Radiobetjening 2 funksjoner, kpl. uten hydr. Pristillegg 4 kanal radio	Radio control 2 functions, cpl. incl hydr. Radio control 2 functions, cpl. with out hydr. Price added 4 channel radio	
1	095362 095522	1	Radiosender 2 kanal 433 Mhz Radiosender 2 kanal 869 MHz	Radio transmitter 2 channel 433 Mhz Radio transmitter 2 channel 869 MHz	
2	095365 095525	1	Radiosender 4 kanal 433 MHz Radiosender 4 kanal 869 MHz	Radio transmitter 4 channel 433 MHz Radio transmitter 4 channel 869 MHz	
3	095370	3	Batteri 1,5V AAA	Batteri 1.5V AAA	
4	095371	1	Batterilokk	Battery cover	
5	095294 095535 095296 095536	1	Mottaker 2 kanal 433 MHz Mottaker 2 kanal 869 MHz Mottaker 4 kanal 433 MHz Mottaker 4 kanal 869 MHz	Receiver 2 channel 433 MHz Receiver 2 channel 869 MHz Receiver 4 channel 433 MHz Receiver 4 channel 869 MHz	
6	095539	1	Antennepisk, 869 MHz	Antenna whip 869MHz	
7	095289	1	Antenne, komplett 433 MHz	Antenna cpl. 433 Mhz	
8	095291	1	Antennepisk, 433 MHz	Receiver 4 channel 869 MHz	
9	095290	1	Antennefot, 433 MHz	Antenna foot, 433MHz	
10	095292	1	Antennekabel, 433 MHz	Antenna cable, 433Mhz	
11	090765	1	Støpsel, 7 pol	Trailer contact, 7 pol	



IGLAND 3201 Tilleggsutstyr radiostyring gammel type

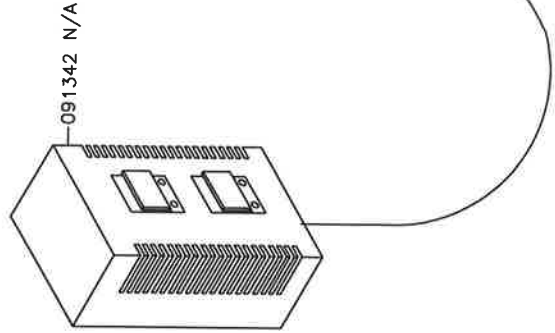
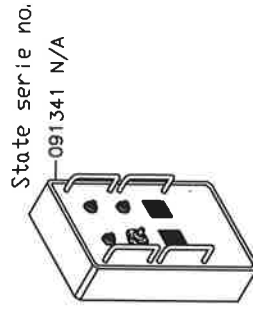
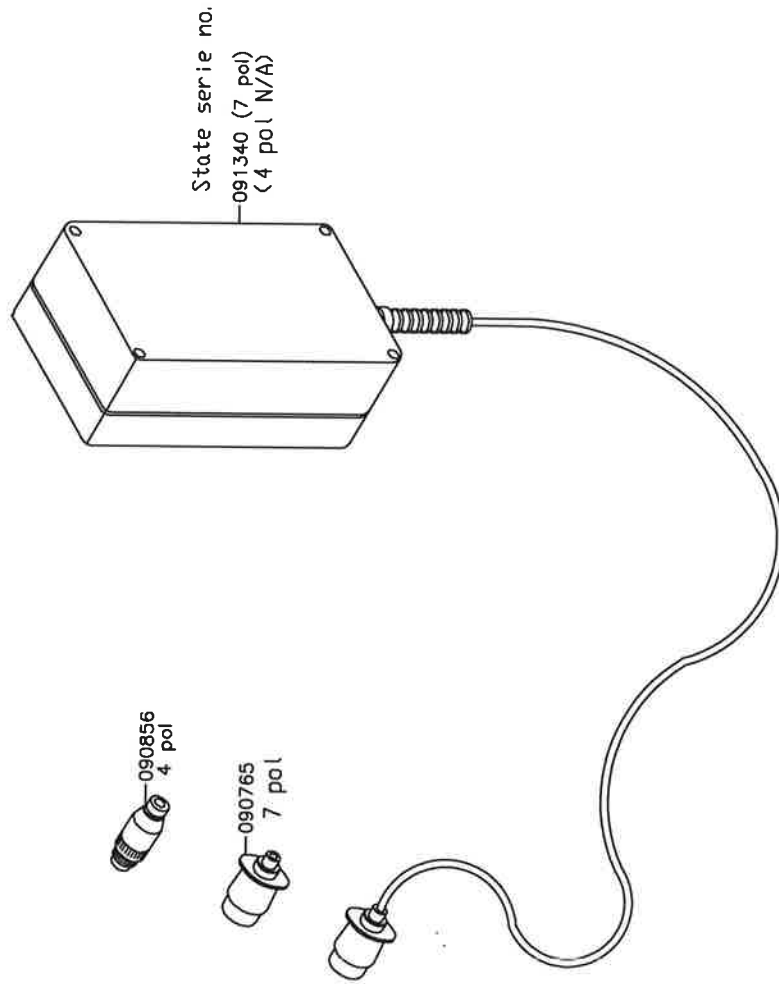
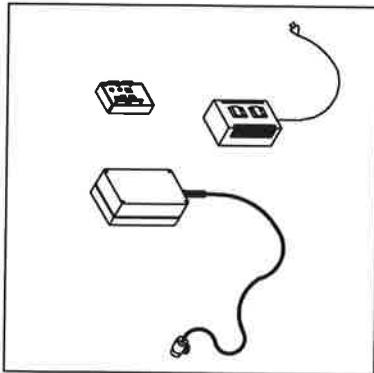
RESERVEDELSLISTE - SPARE PARTS LIST - ERSATZTEILLISTE

Pos	Art.No.	No	Beskrivelse	Description	Bezeichnung
1	095250	1	Radiosender 2 kanal 433 MHz N/A Bruk 095362	Radio transmitter 2 channel 433 MHz N/A use 095362	
2	095253	1	Radiosender 4 kanal 433 MHz N/A Bruk 095365	Radio transmitter 4 channel 433 MHz N/A use 095365	
3	091214	1	Batteri 9 Volt	Battery 9 volt	
4	095293	1	Batterideksel N/A	Battery cover	
5	095296	1	Mottaker 4 kanal, 7 pol kontakt 433 MHz	Receiver 4 channel, 7 pol trailer contact 433MHz	
6	095259	1	Mottaker 4 kanal, 4 pol kontakt 433 MHz N/A	Receiver 4 channel, 4 pol contact 433MHz N/A	
7	095294	1	Mottaker 2 kanal, 7 pol kontakt 433 MHz	Receiver 2 channel, 7 pol trailer contact 433MHz	
8	095256	1	Mottaker 2 kanal, 4 pol kontakt 433 MHz N/A	Receiver 2 channel, 4 pol contact 433MHz N/A	
9	095289	1	Antenne, komplett 433MHz	Antenna cpl. 433MHz	
10	095291	1	Antennepisk, 433 MHz	Antenna whip 433MHz	
11	095290	1	Antennefot, 433 MHz	Antenna foot 433MHz	
12	095292	1	Antennekabel, 433 MHz	Antenna cable 433MHz	
13	090765	1	Støpsel 7 polet	Trailer contact, 7 pol	
14	090856	1	Støpsel 4 polet	Contact 4 pol	



IGLAND 3201

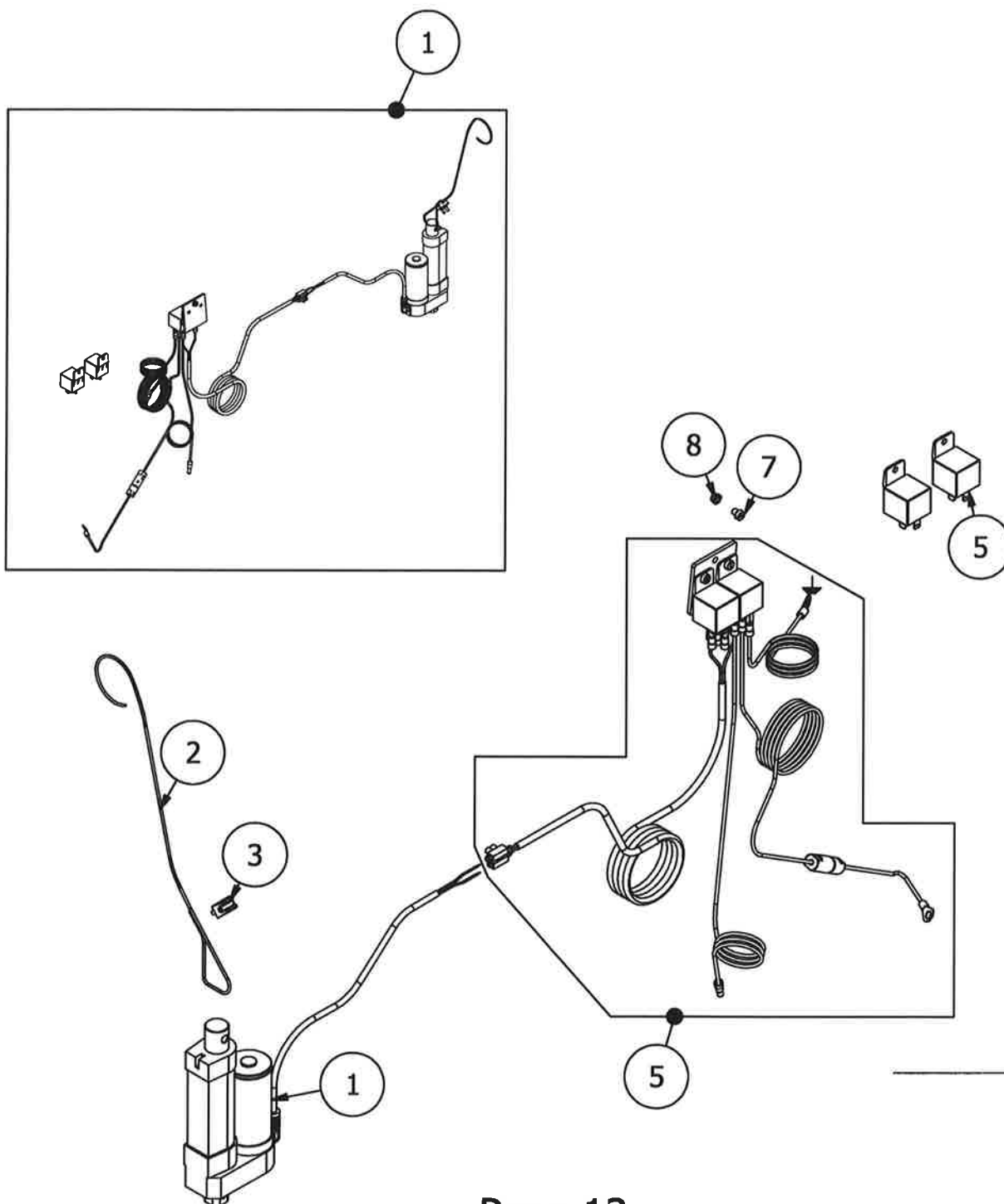
HM RADIO REMOTE CONTROL F201,	4 pol:	091193	N/A
HM RADIO REMOTE CONTROL F201,	7 pol:	091310	N/A
HM RADIO REMOTE CONTROL F201,	4 pol m/RPM actuator	091190	N/A
HM RADIO REMOTE CONTROL F201,	7 pol m/RPM actuator	091313	N/A
HM RADIO REMOTE CONTROL F201,	7 pol m/RPM actuator	091314	N/A



IGLAND 3201 Tilleggsutstyr turtallsregulering

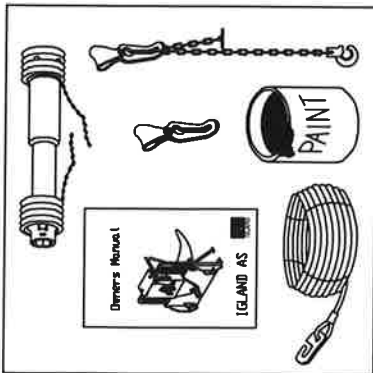
RESERVEDELSLISTE - SPARE PARTS LIST - ERSATZTEILLISTE

Pos	Art.No.	No	Beskrivelse	Description	Bezeichnung
1	091442	1	Turtallsregulering av traktor, kpl.	Speed control for tractor, cpl.	
2	091444	1	Aktuator	Actuator	
3	091421	1	Wire	Wire	
4	022328	1	Wireklemme	Wire clamp	
5	091438	1	Relekopling, kpl.	Relay set, cpl.	
6	091439	2	Rele	Relay	
7	013906	1	Skrue	Bolt	
8	012078	1	Mutter	Nuts	

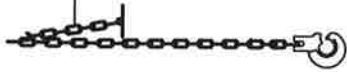


IGLAND 3201

Miscellaneous



Choker Chain
 -201201 1,5 m, "Golden", 6.000 kp, Ø=6.3 mm
 -201205 2.0 m, do.



WIRE ROPE, 6x26WS+IWRC 180 kp, 9 mm



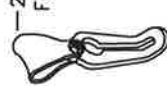
-200165 35 m

WIRE ROPE, according to ISO 4254-4



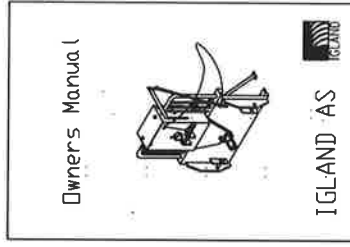
PTD Shaft
 -209100
 W2200

-201210
 For "Golden" choker chain



-023001 Red, 1 l
 -023011 Black, 1 l

Owners Manual
 -390042



Parts Catalogue
 -390012

