



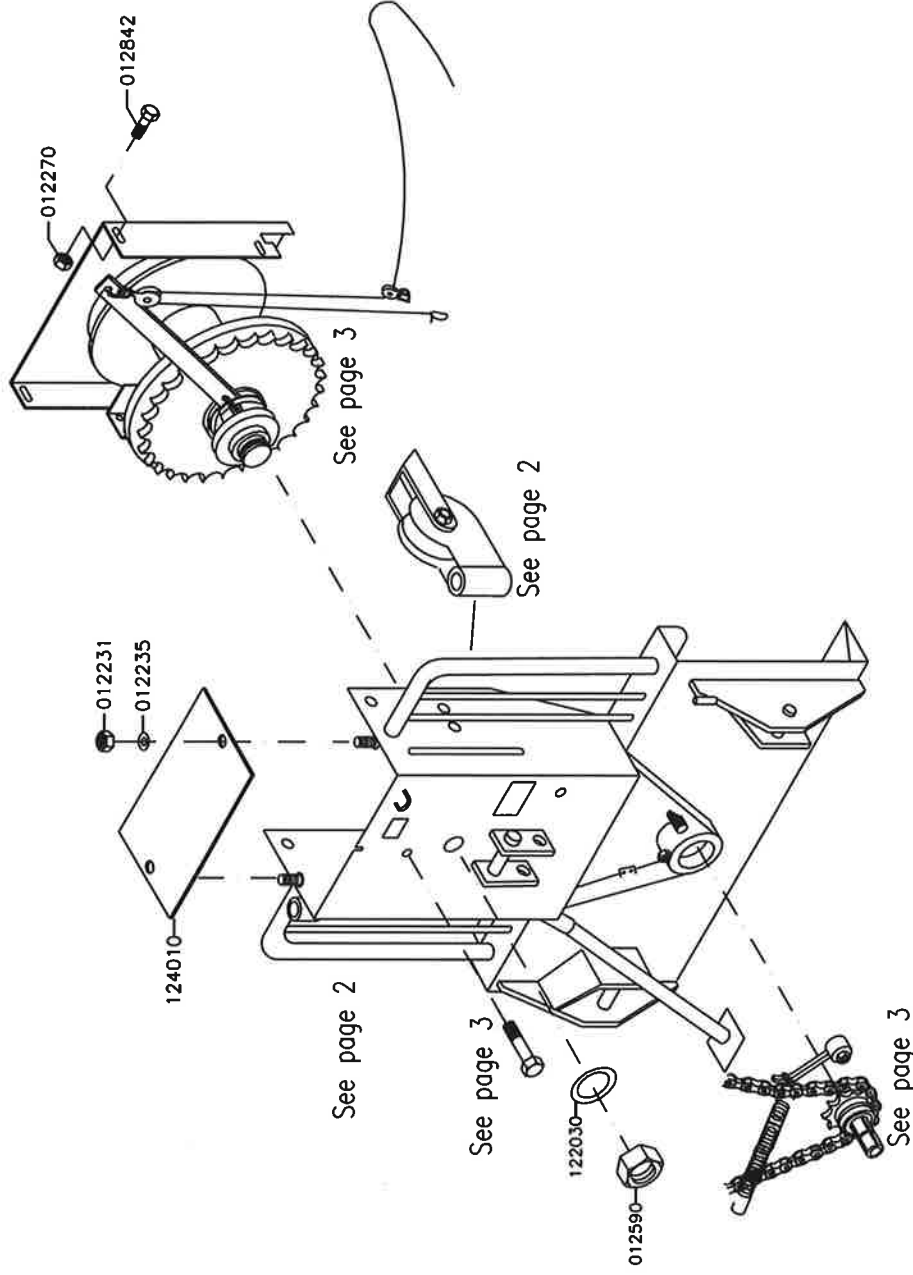
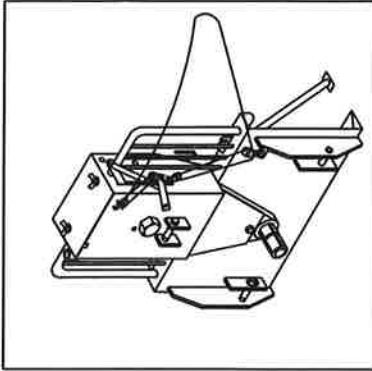
IGLAND 2001

Parts Catalogue

IGLAND 2001, Parts Catalogue

Serial No.: 2001201 ⇌

Page 1



GENERAL INFO:

This Parts Catalogue consists of 4 numbered pages.

This Catalogue: P/N 390020

N/A: Not Available

© IGLAND AS

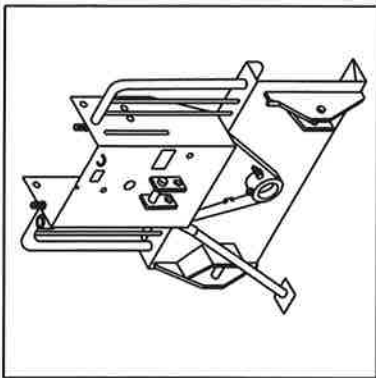
- Gjengivelse av tekst og tegninger uten tillatelse forbudt.
- Reproduction of text or illustrations without permission is prohibited.
- Eideavgabe von Texten und Zeichnungen ohne unsere Genehmigung ist nicht gestattet.
- Interdiction de toute reproduction de textes ou d'illustrations sans autorisation préalable.

Approved: 

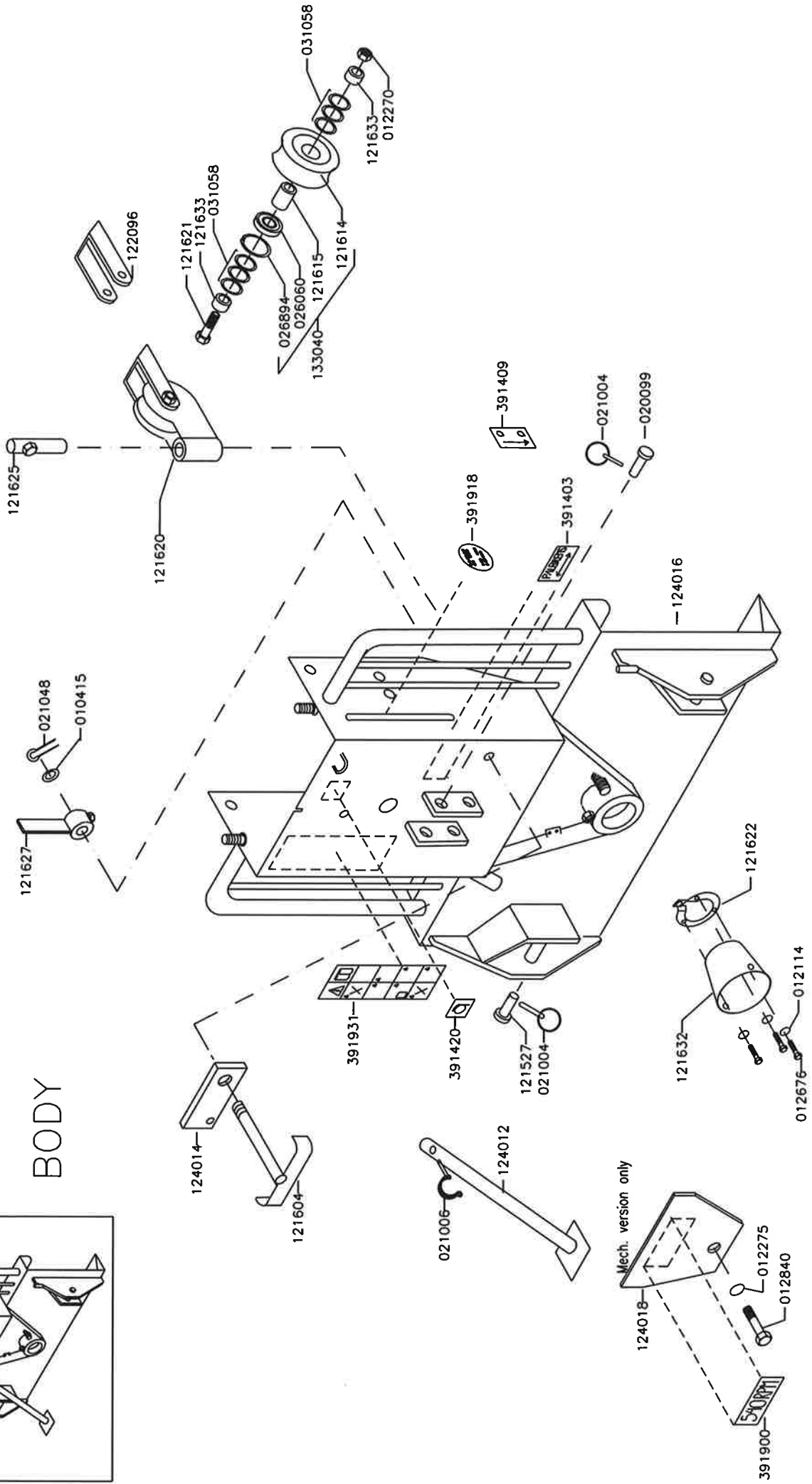
Revised:

Issued: 01.30.05.2006

IGLAND 2001

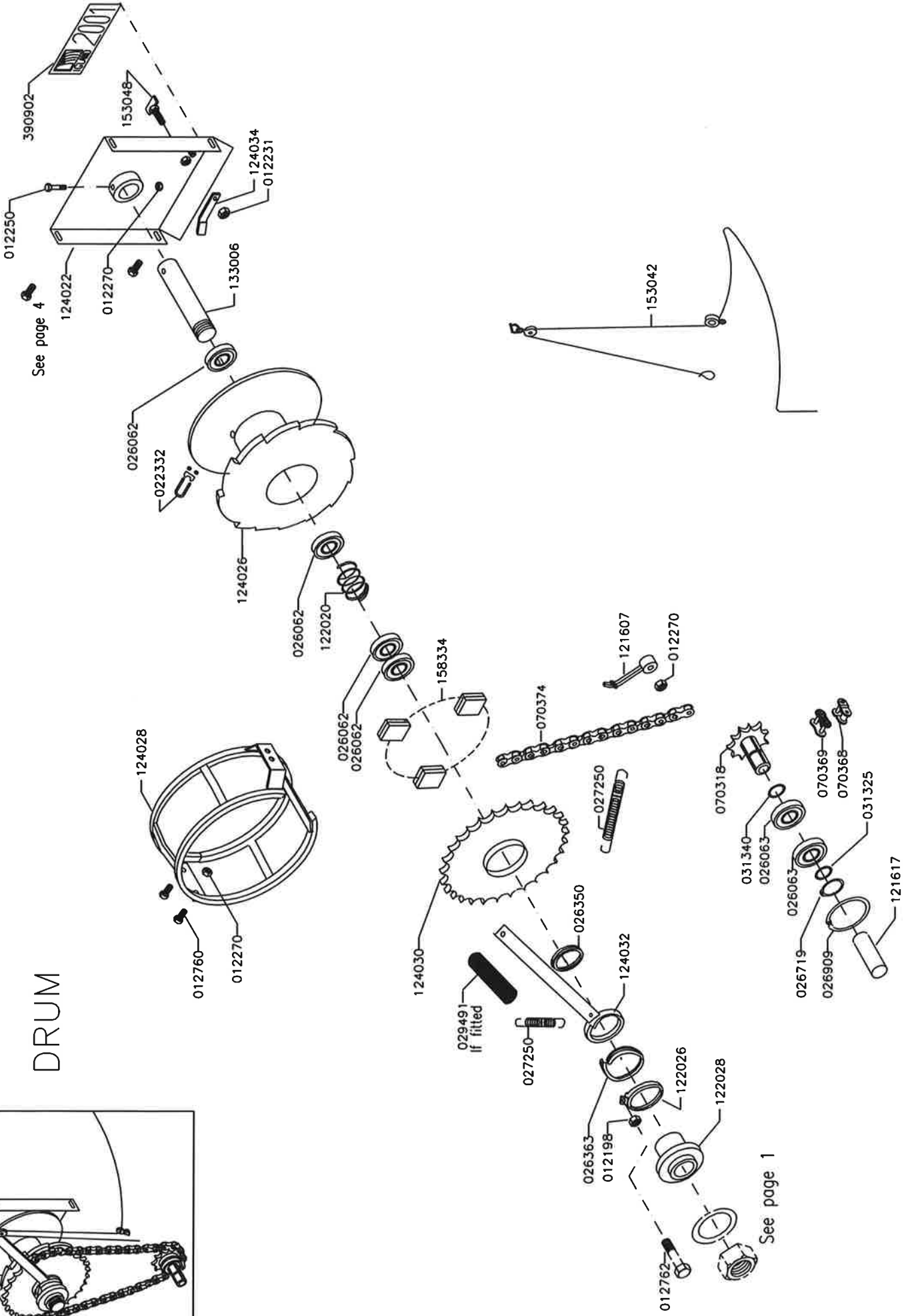
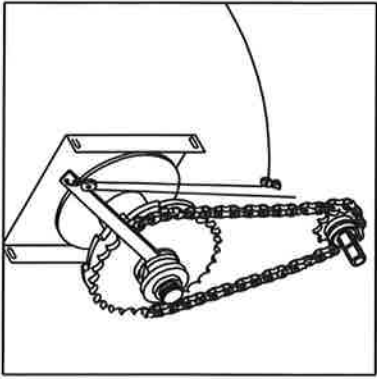


BODY



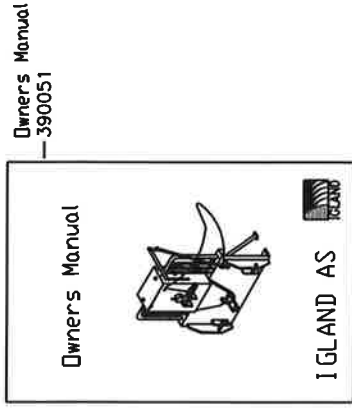
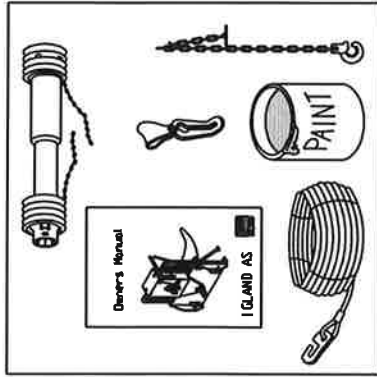
IGLAND 2001

DRUM

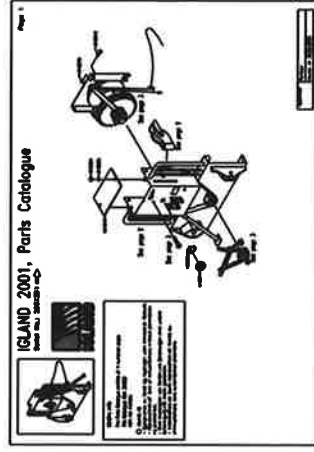


IGLAND 2001

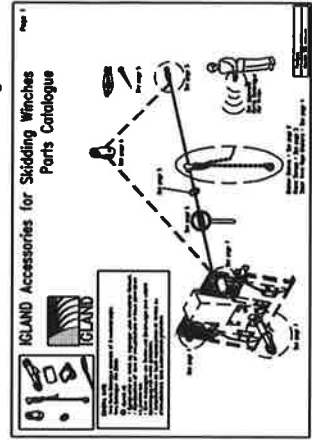
Miscellaneous



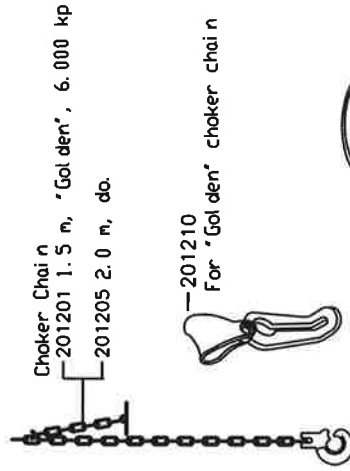
Owners Manual
—390051



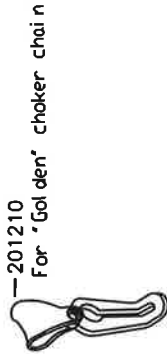
Parts Catalogue
—390020



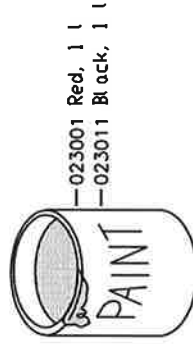
Parts Catalogue
Accessories for Ski Lifting Winches
—390601



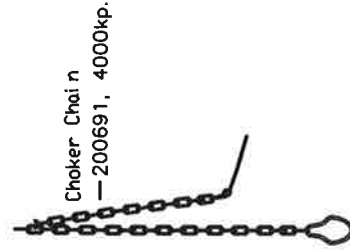
Choker Chain
—201201 1.5 m, "Golden", 6.000 kp
—201205 2.0 m, do.



—201210
For "Golden" choker chain



—023001 Red, 1 l
—023011 Black, 1 l



Choker Chain
—200691, 4000kp.

WIRE ROPE, 6x26WS+IWRC 180 kp, 8 mm



—200117 35 m
—200159 40 m
—200160 50 m

WIRE ROPE, according to ISO 4254-4



PTO Shaft
—209100
W2200